

AcuCT Hinged Series

AcuCT-H040

Compact Split-Core Current Transformer Datasheet



Featuring an ultra-compact design with a convenient, hinged opening, the AcuCT Hinged split-core current transformers are high-accuracy sensors that are ideally-suited for branch circuit monitoring in crowded electrical panels. The installer-friendly, hinged design facilitates fast installation without cable or wire disconnection.

Features

- High accuracy: 0.5% from 10%-120% of rated current
- Features an inherently-safe, 333mV output
- Quick installation thanks to hinged Split-Core design
- Compact design is ideal for electrical panels with limited space
- UL Recognized



Accuenergy Inc.

Los Angeles - Toronto - Pretoria
 North America Toll Free: 1-877-721-8908
 Web: www.accuenergy.com
 Email: marketing@accuenergy.com

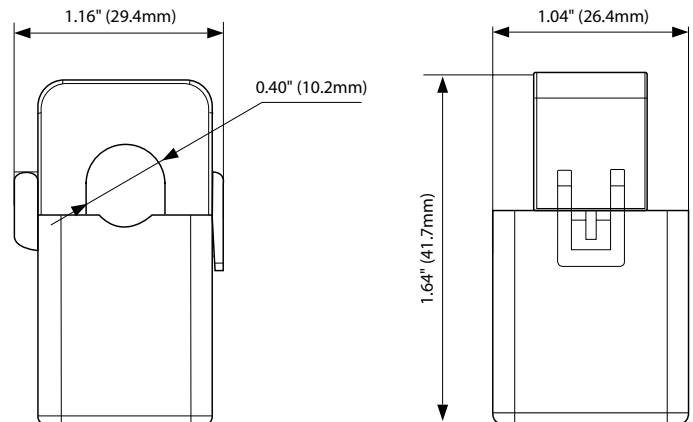
Revision Date: February 2025 Version: 1.0.6
 Specs Subject To Change Without Notice.



Specifications

RATED CURRENT	
Current Range	5A, 20A, 30A, 40A, 50A, 60A
Output	10% - 120% of rated current
Accuracy	333mV
	IEC 61869-2 Class 0.5
MECHANICAL/ENVIRONMENTAL	
Form Factor	Hinged Split-Core CT
Window Size	10.2mm (0.40")
Exterior Dimensions	29.4mm x 26.4mm x 41.7mm 1.16" x 1.04" x 1.64"
Case Material	Black Nylon, UL 94V-0
Lead Wires	2.5m (8ft) twisted pair, 22AWG
Operating Temperature	-25°C to 70°C / -13°F to 158°F
Operating Humidity	Non-condensing, 0 to 95% RH
Installation Conditions	Indoor Use
ELECTRICAL	
Wire Polarity	White=Positive, Black=Negative
Phase Orientation	Arrow Points Towards Load
Frequency Range	50-1KHz (50-400Hz)
Output Resistance (Voltage Output)@333mV; burden@5A	20A: 33.3Ω / 30A: 33.3Ω / 40A: 25Ω / 50A: 20Ω / 60A: 16.66Ω
SAFETY/COMPLIANCE	
Withstand Voltage	3.0kV/1mA/1min
Rated Voltage	600VAC
Certifications	CE, RoHS, cURus (E359521)

Dimensions



Ordering Information

Ordering Number	Rated Input	Rated Output
AcuCT- H040	-	: :333
Ordering Example	AcuCT- H040 - 20	: :333
	5: 5A	
	20: 20A	
	30: 30A	
	40: 40A	
	50: 50A	
	60: 60A	