

# AcuCT Hinged Series

## AcuCT-H063

Compact Split-Core Current Transformer Datasheet



Featuring an ultra-compact design with a convenient, hinged opening, the AcuCT Hinged split-core current transformers are high-accuracy sensors that are ideally-suited for branch circuit monitoring in crowded electrical panels. The installer-friendly, hinged design facilitates fast installation without cable or wire disconnection.

### Features

- High accuracy: Compliant with IEC 91869-2 Class 0.5
- Features an inherently-safe, 333mV output
- Quick installation thanks to hinged Split-Core design
- Compact design is ideal for electrical panels with limited space
- UL Recognized



**Accuenergy Inc.**  
 Los Angeles - Toronto - Pretoria  
 North America Toll Free: 1-877-721-8908  
 Web: [www.accuenergy.com](http://www.accuenergy.com)  
 Email: [marketing@accuenergy.com](mailto:marketing@accuenergy.com)

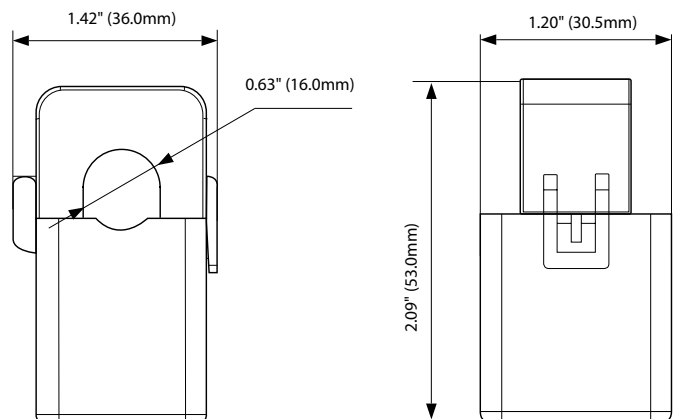
Revision Date: February 2025 Version: 1.0.7  
 Specs Subject To Change Without Notice.



### Specifications

<b>RATED CURRENT</b>	
Current Range	50A, 100A, 150A
Output	10% - 120% of rated current
Accuracy	333mV
	IEC 61869-2 Class 0.5
<b>MECHANICAL/ENVIRONMENTAL</b>	
Form Factor	Hinged Split-Core CT
Window Size	16.0mm (0.63")
Exterior Dimensions	36.0mm x 30.5mm x 53.0mm 1.42" x 1.20" x 2.09"
Case Material	Black Nylon, UL 94V-0
Lead Wires	2.5m (8ft) twisted pair, 22AWG
Operating Temperature	-25°C to 70°C / -13°F to 158°F
Operating Humidity	Non-condensing, 0 to 95% RH
Installation Conditions	Indoor Use
<b>ELECTRICAL</b>	
Wire Polarity	White=Positive, Black=Negative
Phase Orientation	Arrow Points Towards Load
Frequency Range	50-1KHz (50-400Hz)
Output Resistance (Voltage Output)@333mV; burden@5A	50A: 20Ω / 100A: 10Ω / 150A: 6.66Ω
<b>SAFETY/COMPLIANCE</b>	
Withstand Voltage	3.0KV/1mA/1min
Rated Voltage	600VAC
Certifications	CE, RoHS, cURus (E359521)

### Dimensions



### Ordering Information

Ordering Number	Rated Input	Rated Output
AcuCT- H063	-	: :333
Ordering Example	AcuCT- H063 - 50	: :333
	50: 50A	
	100: 100A	
	150: 150A	