

# AcuCT Hinged Series

## AcuCT-H138

Compact Split-Core Current Transformer  
Datasheet



Featuring an ultra-compact design with a convenient, hinged opening, the AcuCT Hinged split-core current transformers are high-accuracy sensors that are ideally-suited for branch circuit monitoring in crowded electrical panels. The installer-friendly, hinged design facilitates fast installation without cable or wire disconnection.

### Features

- High accuracy: Compliant with IEC 91869-2 Class 0.5
- Features an inherently-safe, 333mV output
- Quick installation thanks to hinged Split-Core design
- Compact design is ideal for electrical panels with limited space
- UL Recognized



### Accuenergy Inc.

Los Angeles - Toronto - Pretoria  
North America Toll Free: 1-877-721-8908  
Web: [www.accuenergy.com](http://www.accuenergy.com)  
Email: [marketing@accuenergy.com](mailto:marketing@accuenergy.com)



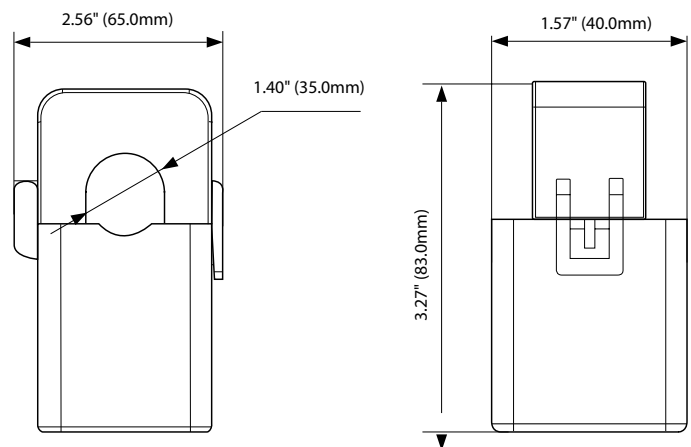
Revision Date: February 2025 Version: 1.0.7  
Specs Subject To Change Without Notice.



### Specifications

RATED CURRENT	
Rated Current	200A, 400A, 600A
Current Range	10% - 120% of rated current
Output	333mV
Accuracy	IEC 61869-2 Class 0.5
MECHANICAL/ENVIRONMENTAL	
Form Factor	Hinged Split-Core CT
Window Size	35.0mm (1.40")
Exterior Dimensions	65.00mm x 40.00mm x 83.00mm 2.56" x 1.57" x 3.27"
Case Material	Black Nylon, UL 94V-0
Lead Wires	2.5m (8ft) twisted pair, 22AWG
Operating Temperature	-25°C to 70°C / -13°F to 158°F
Operating Humidity	Non-condensing, 0 to 95% RH
Installation Conditions	Indoor Use
ELECTRICAL	
Wire Polarity	White=Positive, Black=Negative
Phase Orientation	Arrow Points Towards Load
Frequency Range	50-1KHz (50-400Hz)
Output Resistance (Voltage Output)@333mV; burden@5A	200A: 5Ω / 400A: 5Ω / 600A: 3.33Ω
SAFETY/COMPLIANCE	
Withstand Voltage	3.0KV/1mA/1min
Rated Voltage	600VAC
Certifications	CE, RoHS, cURus (E359521)

### Dimensions



### Ordering Information

Ordering Number	Rated Input	Rated Output
AcuCT- H138	-	: :333
Ordering Example	AcuCT- H138 - 200	: :333
	200: 200A	
	400: 400A	
	600: 600A	