

# AcuSplitCT Series 5/20/30/40/50/60A Hinged Split Core Current Transformers

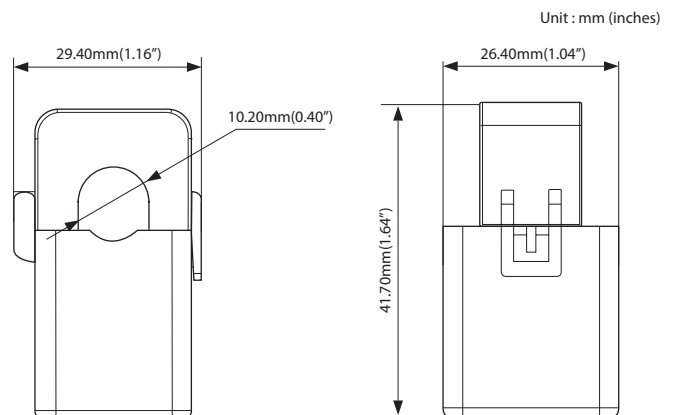
The Accuenergy hinged split core CTs are compact and low-cost current transformers with high accuracy. Designed with a single-click installation mechanism, the hinged CTs are ideal for quick and easy installation without disconnecting cables. The compact size is perfect for limited-space panels.



## SPECIFICATIONS

Rated Input & Output	333mV@ 5/20/30/40/50/60A AC
Accuracy	0.5%
Frequency Range	50-1KHz
Window Size	0.4 Inch
Case Material	Black Nylon
Rated Voltage	600 Vac, Category III
<b>Note:</b> Do not use 600V class CT in application with voltage greater than 600V L-L	
Operating Temperature	-15°C - 60°C

## DIMENSIONS



## ORDERING INFORMATION

Ordering Number:	AcuCT-	H040	-	Rated Input	:	333
Ordering Example:	AcuCT-	H040	-	20	:	333
				5: 5A		
				20: 20A		
				30: 30A		
				40: 40A		
				50: 50A		
				60: 60A		



**Accuenergy Corp.**

Los Angeles-Toronto-Beijing

North America Toll Free: 1-877-721-8908

Web: [www.accuenergy.com](http://www.accuenergy.com)

Email: [marketing@accuenergy.com](mailto:marketing@accuenergy.com)

**ACCUEENERGY**  
Your Power and Automation Partner