

AcuSplitCT Series 4161R

Split Core Current Transformers

The Accuenergy split core CTs are compact and low- cost current transformers with high accuracy. The CTs are ideal for quick and easy installation without disconnecting cables during installation. Multiple installation mechanisms provide stable and durable current measurement.

FEATURES

- Multiple output including 5A, 1A, 80mA, 100mA, 200mA, 333mV
- Simple hinged installation
- Can be installed on cable, bus and panel
- Standard Window size from 0.75 to 5 by 7 inch
- Listed to UL2808, 61010-1 and CSA 22.2

SPECIFICATIONS

Rated Primary Current	Up to 5000A
Rated Output	5A, 1A, 80mA, 100mA, 200mA, 333mV
Withstand Voltage	5,000Vac
Operating Amb. Temperature	-15°C to 65°C
Accuracy	IEC 60044-1 0.5s class
Lead	8 ft(2.5m) UL 1015 22AWG
Construction	UL enclosure rated to 135°C
Certifications	UL listed UL2808, 61010-1 and CSA 22.2

ORDERING INFORMATION

	Rated Input	Rated Output
Ordering Number	AcuCT-4161R -	-
Ordering Example	AcuCT-4161R - 1200	- 333mV
	1200: 1200A	1A
	1600: 1600A	5A
	2000: 2000A	333mV
	2500: 2500A	80mA
	3000: 3000A	100mA
	4000: 4000A	200mA
	5000: 5000A	

Note: For any other size and ratio, please contact Accuenergy Corp.



Accuenergy Corp.

Los Angeles-Toronto-Beijing

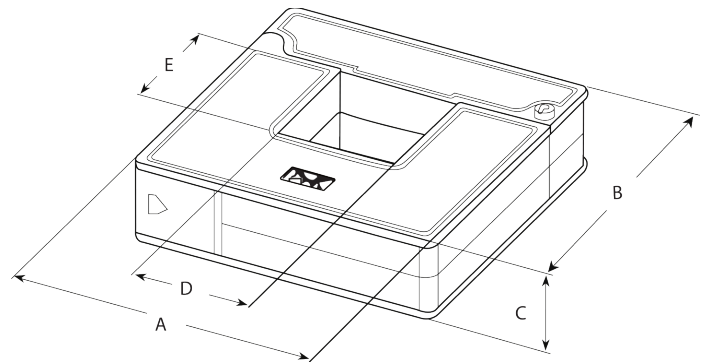
North America Toll Free: 1-877-721-8908

Web: www.accuenergy.com

Email: marketing@accuenergy.com



DIMENSIONS



SIZE CHART

Dimensions (inch/mm)				
A	B	C	D	E
7.3/185.0	9.3/235.0	1.8/45.0	4.1/105.0	6.1/155.0

ACCUENERGY
MAKE ENERGY USAGE SMARTER