

- R I K S E R I E S +

R O G O W S K I I N T E G R A T O R

**V Rogowski Integrator Kit**

**Datasheet**

## INTRODUCTION

The Accuenergy V Rogowski Integrator Kit (RIK) provides users with an easy-to-install, plug-n-play solution to be used with any power meters or equipment with a V nominal current transformer input. The V Rogowski Integrator will allow the installation of Rogowski coil CTs in a variety of applications where space constraints may limit the use of other current transformers

The 0-5V flexible coil integrator kit is designed with three independent channels of 0-5V or 0-10V output, plus a sum output channel and Accuenergy flexible Rogowski coil current sensor.

## FEATURES

- Flexible rope-like current sensor, designed to easily fit into panels or busbars where space may be limited
- 0-5Vdc or 0-10Vdc output that works with any analog input controller or three channel integrator also has 4th sum channel to output total current from three channels
- Current sensing range from 2.5A to 50,000A to fit all systems
- Field-configurable CT ratios: 500A, 1kA, 2.5kA, 5kA, 10kA, 25kA, 50kA
- Individual CT ratios can be configured for each channel. Works in any single phase application with different current ratings
- Works in both 50Hz and 60Hz systems

## SPECIFICATIONS

Specification	Measurement
Current Measurement Range	2.5A - 60000A
Output	0-5Vdc or 0-10Vdc (Field Configurable)
Sensing Range	500A, 1000A, 2500A, 5000A, 10000A, 25000A and 50000A (Field Configurable)
Measurement Channels	3 or 1 (three-phase or single-phase)
Frequency	45Hz to 65Hz
Accuracy	±1% Full Scale Error
Channel Cross Talk	< -60dB
Maximum Operating Temperature	55°C (131°F)

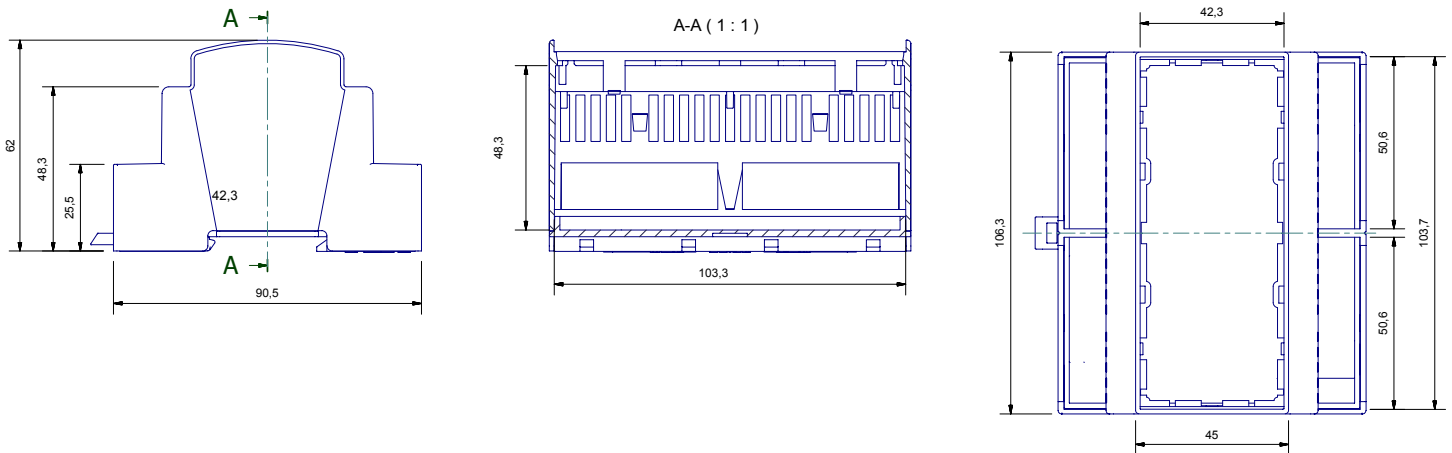
## POWER REQUIREMENTS

Supply Voltage	24V <sub>DC</sub> ± 5%
Supply Current	40mA <sub>DC</sub> @ 24V <sub>DC</sub>

## ACCESSORIES

Power Supply	100-240Vac
Mount Rail	DIN TS-35/7.5 or 15

## MEASUREMENTS



## ORDER INFORMATION

Model	Description
RIK16-V-1	Single channel 0-5V/0-10V Output Integrator with one 16 inch Rogowski Coil; 100-240Vac Din-Rail Power Supply
RIK24-V-1	Single channel 0-5V/0-10V Output Integrator with one 24 inch Rogowski Coil; 100-240Vac Din-Rail Power Supply
RIK36-V-1	Single channel 0-5V/0-10V Output Integrator with one 36 inch Rogowski Coil; 100-240Vac Din-Rail Power Supply
RIK47-V-1	Single channel 0-5V/0-10V Output Integrator with one 47 inch Rogowski Coil; 100-240Vac Din-Rail Power Supply
RIK16-V-3	Three channel 0-5V/0-10V Output Integrator with three 16 inch Rogowski Coil; 100-240Vac Din-Rail Power Supply
RIK24-V-3	Three channel 0-5V/0-10V Output Integrator with three 24 inch Rogowski Coil; 100-240Vac Din-Rail Power Supply
RIK36-V-3	Three channel 0-5V/0-10V Output Integrator with three 36 inch Rogowski Coil; 100-240Vac Din-Rail Power Supply
RIK47-V-3	Three channel 0-5V/0-10V Output Integrator with three 47 inch Rogowski Coil; 100-240Vac Din-Rail Power Supply