

AcuCT A Series

AcuCT-100A

Revenue Grade Split-Core
Current Transformer Datasheet



The AcuCT-100A is a premium, revenue-grade split-core current transformer designed for high-accuracy energy measurements and power monitoring applications. Multiple output options and class 0.5S accuracy, depending on the model, makes it ideal for metering and billing verification. The user-friendly press-open design with a durable, compact form factor enables fast installation. Optional bolt mount or DIN rail mounting accessories are available to support secure installation in challenging applications.

Features

- Revenue grade accuracy compliant with IEC 61869-2 Class 0.5S from 1% - 120% of rated current.
- Multiple output options including 80mA, 100mA, and 333mV.
- Wide frequency for reliable operation from 50Hz to 400Hz.
- Press-open split-core design enables quick and simple installation.



Specifications

RATED CURRENT	100A, 125A, 150A, 200A, 250A
Current Range	1% - 120%; 5% - 120% of Rated Current
Output	80mA, 100mA, 333mV
Accuracy	0.5% @ 100A -125A IEC 61869-2 0.5S @ 150A - 250A

MECHANICAL/ENVIRONMENTAL

Form Factor	Press Open Split-Core CT
Window Size	25.5 mm x 32.0 mm (1.00" x 1.26")
Exterior Dimensions	79.5 mm x 81 mm x 28 mm (3.13" x 3.19" x 1.10")
Case Material	UL 94V-0 Rated Flame Retardant
Lead Wires	2.5 m (8 ft), Twisted Pair, 16 / 18 AWG
Operating Temperature	-25°C to 70°C / -13°F to 158°F
Storage Temperature	-40°C to 80°C / -40°F to 176°F
Operating Humidity	Non-Condensing, 5% to 95% RH
Installation Conditions	Indoor Use

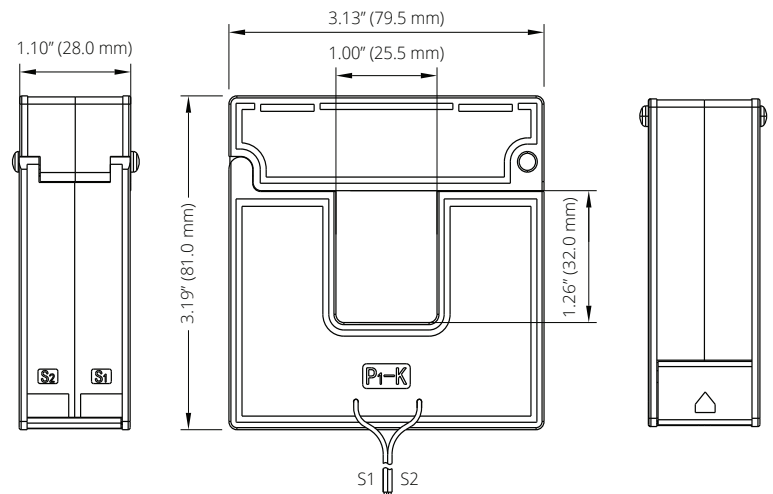
ELECTRICAL

Wire Polarity	White=Positive, Black=Negative
Phase Orientation	P1-K Points Towards Source
Frequency Range	50 Hz - 400 Hz
Burden @ 80mA and 100mA Output	2.5 Ω - 10 Ω @ mA Output
Insulation Resistance	500 V / 100 MΩ min

SAFETY/COMPLIANCE

Withstand Voltage	5.0 kV / 1 mA / 1 min
Rated Voltage	600VAC, Rated CAT IV, PD3
Certifications & Compliance	CE, RoHS, UL Listed UL2808, CSA 22.2, IEC 61010-1, and IEC 61869-2

Dimensions

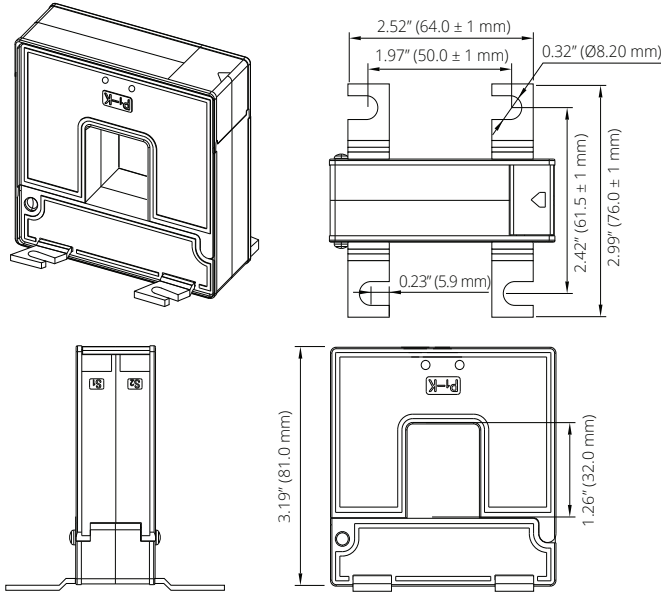


Mounting Accessories

Two optional mounting kits are available and must be specified at the time of placing the order.

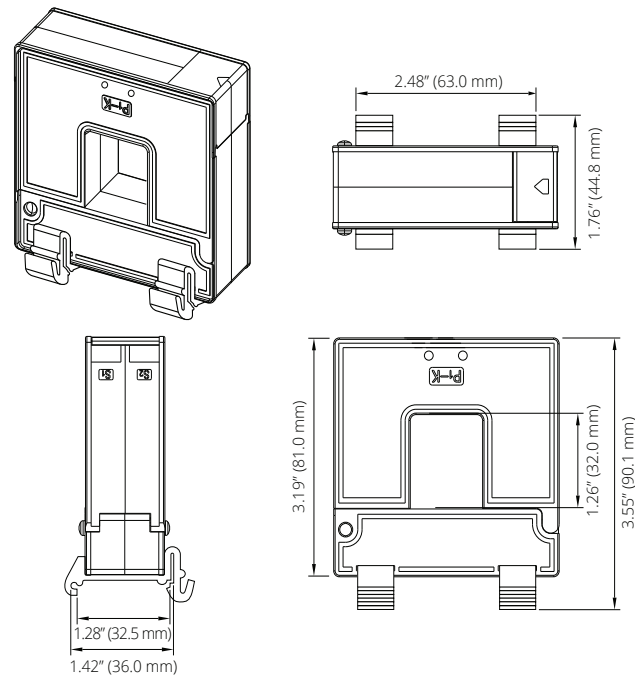
1. Bolt Mounting Kit

Optional bolt mounting kit is available for secure installation.



2. DIN Rail Mounting Kit

Compatible with standard 35mm DIN rail for convenient enclosure installation.



Accuenergy Inc.

Los Angeles - Toronto - Pretoria

North America Toll Free: 1-877-721-8908

Web: www.accuenergy.com

Email: marketing@accuenergy.com

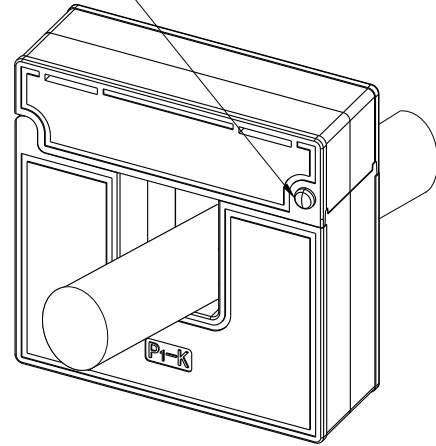
Revision Date: May 2026 Version: 1.0.0

Specs Subject To Change Without Notice.

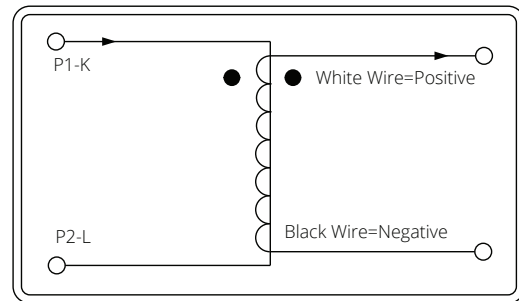
Installation Instructions

1. Press the buttons on both sides of the upper housing of CT to open it, so that the primary conductor cable is connected to the current transformer without disconnecting the cable.

Press here to open CT



2. Insert the primary conductor cable through the window from P1-K side, which must point towards the source. The white wire is the positive lead, and the black wire is the negative lead. This will ensure correct phase orientation during installation.



Ordering Information

Model	-	Rated Input	:	Rated Output
AcuCT-100A		100: 100A		80mA
		125: 125A		100mA
		150: 150A		333mV
		200: 200A		
		250: 250A		

Ordering Example	AcuCT-100A	-	100	:	100mA
-------------------------	-------------------	----------	------------	----------	--------------

+ Accessories (Optional)

Model	-	Accessory	-	Mounting Options
ACUBRAC		SP6		Blank - Bolt Mounting Kit
				DIN - DIN Rail Mounting Kit

Ordering Example	ACUBRAC	-	SP6	-	DIN
-------------------------	----------------	----------	------------	----------	------------