

**ACCUEVERGY**

# AcuCT A Series

Revenue Grade Split-Core Current Transformer



D A T A S H E E T

# AcuCT A Series

## AcuCT-050A

Revenue Grade Split-Core  
Current Transformer Datasheet



The AcuCT-050A is a premium, revenue grade split-core current transformer designed for high accuracy energy measurements and power monitoring applications. Multiple output options and class 0.5S accuracy, depending on the model, makes it ideal for metering and billing verification. The user-friendly press-open design with a durable, compact form factor enables fast installation. Optional zinc-plated mounting accessory provides stable connection and corrosion resistance for safety and quality in challenging applications.

### Features

- Revenue grade accuracy compliant with IEC 61869-2 Class 0.5S from 1% - 120% of rated current.
- Multiple output options including 80mA, 100mA, 250mV, and 333mV.
- Wide frequency for reliable operation from 50Hz to 400Hz.
- Press-open split-core design enables quick and simple installation.



### Specifications

<b>RATED CURRENT</b>	20A, 30A, 50A, 60A, 80A, 100A, 150A
Current Range	1% - 120%; 5% - 120% of Rated Current
Output	80mA, 100mA, 250mV, 333mV
Accuracy	0.2% @ 20A - 30A @ 250mV and 333mV 0.5% @ 20A - 30A @ 80mA and 100mA IEC 61869-2 Class 0.5S @ 50A - 150A

### MECHANICAL/ENVIRONMENTAL

Form Factor	Press Open Split-Core CT
Window Size	Ø 13.0 mm (0.51")
Exterior Dimensions	83 mm x 83 mm x 45 mm (3.27" x 3.27" x 1.77")
Case Material	UL 94V-0 Rated Flame Retardant
Lead Wires	2.5 m (8 ft), Twisted Pair, 16 / 18 AWG
Operating Temperature	-25°C to 70°C / -13°F to 158°F
Storage Temperature	-40°C to 80°C / -40°F to 176°F
Operating Humidity	Non-Condensing, 5% to 95% RH
Installation Conditions	Indoor Use

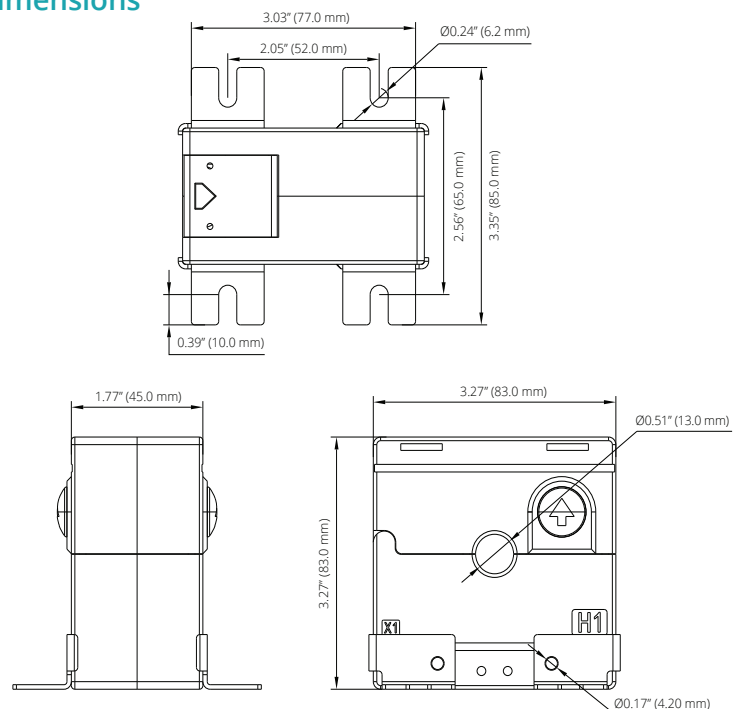
### ELECTRICAL

Wire Polarity	White=Positive, Black=Negative
Phase Orientation	H1 Points Towards Source
Frequency Range	50 Hz - 400 Hz
Burden @ 80mA and 100mA Output	2.5 Ω - 10 Ω @ mA Output
Insulation Resistance	500 V / 100 MΩ min

### SAFETY/COMPLIANCE

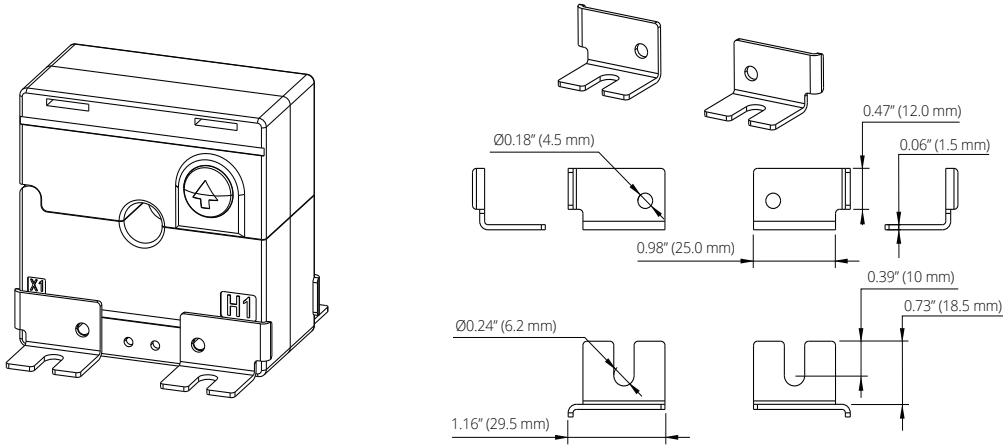
Withstand Voltage	5.0 kV / 1 mA / 1 min
Rated Voltage	600VAC, Rated CAT IV, PD3
Certifications & Compliance	CE, RoHS, UL Listed UL2808, CSA 22.2, IEC 61010-1, and IEC 61869-2

### Dimensions



## Mounting Accessory

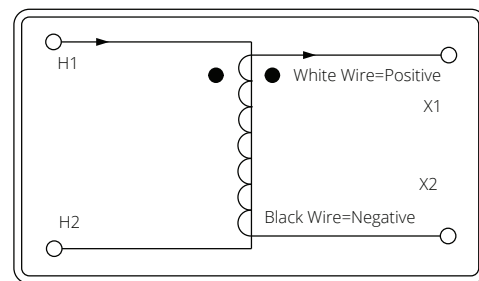
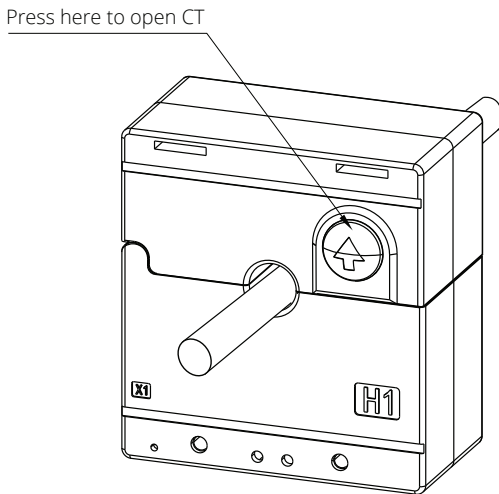
Optional mounting kit is available which can be used to secure the device. Each kit includes 4 mounting brackets, 2 mounting screws (M4 x 55 mm), and 2 mounting nuts (M4 x 3 mm or M4 x 5 mm). The zinc-plated accessory provides corrosion protection and is recommended to be tightened at torque of 0.5 to 0.8 N·m.



## Installation Instructions

1. Press the buttons on both sides of the upper housing of CT to open it, so that the primary conductor cable is connected to the current transformer.

2. Insert the primary conductor cable through the window from H1 side, which must point towards the source. The white wire is the positive lead, and the black wire is the negative lead. This will ensure correct phase orientation during installation.



## Ordering Information

Model	Rated Input	Rated Output
AcuCT-050A	20: 20A	80mA
	30: 30A	100mA
	50: 50A	250mV
	60: 60A	333mV
	80: 80A	
	100: 100A	
	150: 150A	

**Ordering Example**    AcuCT-050A    -    20    :    333mV

+ **Accessory (Optional)**

Model	Accessory
ACUBRAC	SP5

**Ordering Example**    ACUBRAC    -    SP5



### Accuenergy Inc.

Los Angeles - Toronto - Pretoria  
 North America Toll Free: 1-877-721-8908  
 Web: [www.accuenergy.com](http://www.accuenergy.com)  
 Email: [marketing@accuenergy.com](mailto:marketing@accuenergy.com)

Revision Date: May 2026 Version: 1.0.0  
 Specs Subject To Change Without Notice.

# AcuCT A Series

## AcuCT-075A

Revenue Grade Split-Core  
Current Transformer Datasheet



The AcuCT-075A is a premium, revenue grade split-core current transformer designed for high accuracy energy measurements and power monitoring applications. Multiple output options and class 0.5S accuracy, depending on the model, makes it ideal for metering and billing verification. The user-friendly press-open design with a durable, compact form factor enables fast installation. Optional zinc-plated mounting accessory provides stable connection and corrosion resistance for safety and quality in challenging applications.

### Features

- Revenue grade accuracy compliant with IEC 61869-2 Class 0.5S from 1% - 120% of rated current.
- Multiple output options including 80mA, 100mA, and 333mV.
- Wide frequency for reliable operation from 50Hz to 400Hz.
- Press-open split-core design enables quick and simple installation.



### Specifications

<b>RATED CURRENT</b>	50A, 75A, 80A, 100A, 125A, 150A, 200A, 250A
Current Range	1% - 120%; 5% - 120% of Rated Current
Output	80mA, 100mA, 333mV
Accuracy	0.5% @ 50A - 80A IEC 61869-2 Class 0.5S @ 100A - 250A

### MECHANICAL/ENVIRONMENTAL

Form Factor	Press Open Split-Core CT
Window Size	19 mm x 19 mm (0.75" x 0.75")
Exterior Dimensions	77 mm x 85 mm x 32 mm (3.03" x 3.35" x 1.26")
Case Material	UL 94V-0 Rated Flame Retardant
Lead Wires	2.5 m (8 ft), Twisted Pair, 16 / 18 AWG
Operating Temperature	-25°C to 70°C / -13°F to 158°F
Storage Temperature	-40°C to 80°C / -40°F to 176°F
Operating Humidity	Non-Condensing, 5% to 95% RH
Installation Conditions	Indoor Use

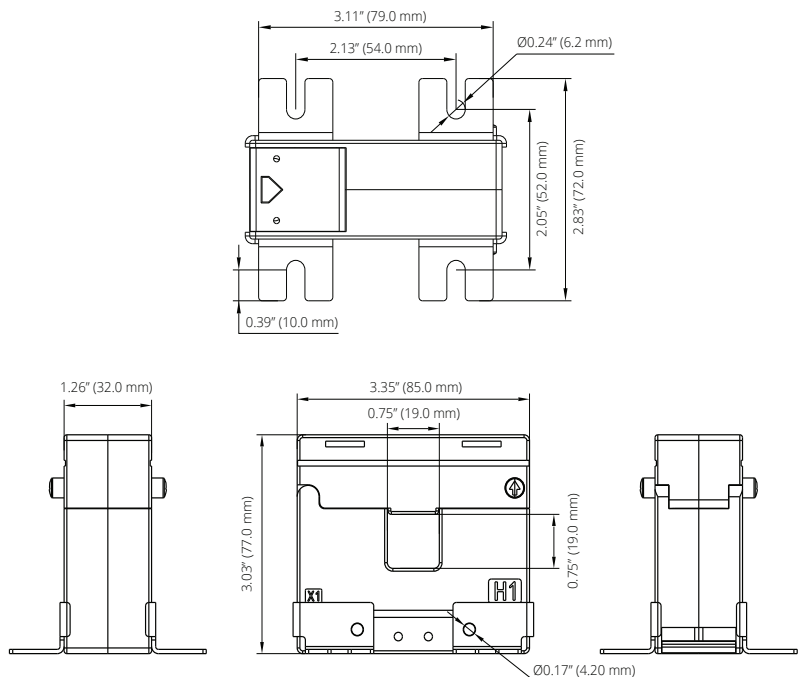
### ELECTRICAL

Wire Polarity	White=Positive, Black=Negative
Phase Orientation	H1 Points Towards Source
Frequency Range	50 Hz - 400 Hz
Burden @ 80mA and 100mA Output	2.5 Ω - 10 Ω @ mA Output
Insulation Resistance	500 V / 100 MΩ min

### SAFETY/COMPLIANCE

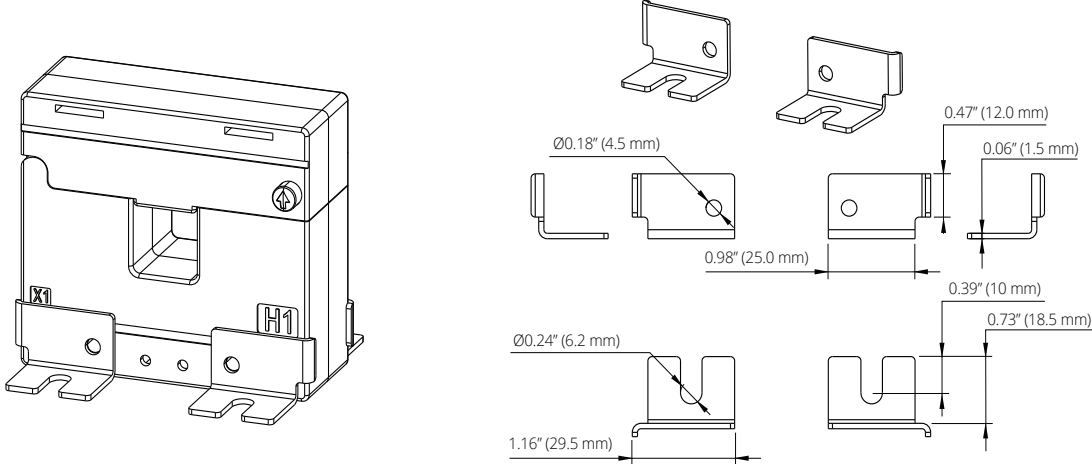
Withstand Voltage	5.0 kV / 1 mA / 1 min
Rated Voltage	600VAC, Rated CAT IV, PD3
Certifications & Compliance	CE, RoHS, UL Listed UL2808, CSA 22.2, IEC 61010-1, and IEC 61869-2

### Dimensions



## Mounting Accessory

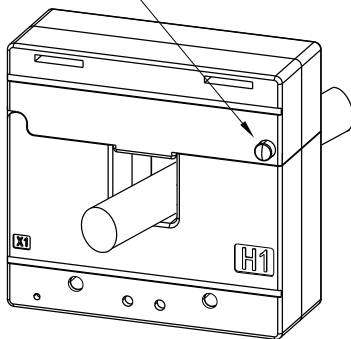
Optional mounting kit is available which can be used to secure the device. Each kit includes 4 mounting brackets, 2 mounting screws (M4 x 40 mm), and 2 mounting nuts (M4 x 3 mm or M4 x 5 mm). The zinc-plated accessory provides corrosion protection and is recommended to be tightened at torque of 0.5 to 0.8 N·m.



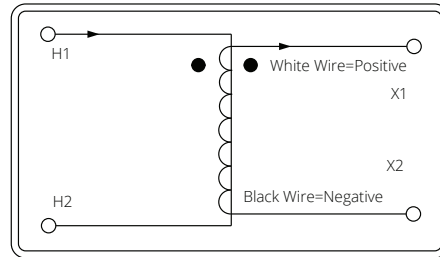
## Installation Instructions

1. Press the buttons on both sides of the upper housing of CT to open it, so that the primary conductor cable is connected to the current transformer.

Press here to open CT



2. Insert the primary conductor cable through the window from H1 side, which must point towards the source. The white wire is the positive lead, and the black wire is the negative lead. This will ensure correct phase orientation during installation.



## Ordering Information

Model	Rated Input	Rated Output
AcuCT-075A	50: 50A	80mA
	75: 75A	100mA
	80: 80A	333mV
	100: 100A	
	125: 125A	
	150: 150A	
	200: 200A	
	250: 250A	

Ordering Example	Model	Rated Input	Rated Output
AcuCT-075A	-	50	: 100mA

+ Accessory (Optional)

Model	Accessory
ACUBRAC	SP7
<b>Ordering Example</b>	<b>ACUBRAC - SP7</b>



### Accuenergy Inc.

Los Angeles - Toronto - Pretoria  
 North America Toll Free: 1-877-721-8908  
 Web: [www.accuenergy.com](http://www.accuenergy.com)  
 Email: [marketing@accuenergy.com](mailto:marketing@accuenergy.com)

Revision Date: May 2026 Version: 1.0.0  
 Specs Subject To Change Without Notice.

# AcuCT A Series

## AcuCT-100A

Revenue Grade Split-Core  
Current Transformer Datasheet



The AcuCT-100A is a premium, revenue-grade split-core current transformer designed for high-accuracy energy measurements and power monitoring applications. Multiple output options and class 0.5S accuracy, depending on the model, makes it ideal for metering and billing verification. The user-friendly press-open design with a durable, compact form factor enables fast installation. Optional bolt mount or DIN rail mounting accessories are available to support secure installation in challenging applications.

### Features

- Revenue grade accuracy compliant with IEC 61869-2 Class 0.5S from 1% - 120% of rated current.
- Multiple output options including 80mA, 100mA, and 333mV.
- Wide frequency for reliable operation from 50Hz to 400Hz.
- Press-open split-core design enables quick and simple installation.



### Specifications

<b>RATED CURRENT</b>	100A, 125A, 150A, 200A, 250A
Current Range	1% - 120%; 5% - 120% of Rated Current
Output	80mA, 100mA, 333mV
Accuracy	0.5% @ 100A -125A IEC 61869-2 0.5S @ 150A - 250A

### MECHANICAL/ENVIRONMENTAL

Form Factor	Press Open Split-Core CT
Window Size	25.5 mm x 32.0 mm (1.00" x 1.26")
Exterior Dimensions	79.5 mm x 81 mm x 28 mm (3.13" x 3.19" x 1.10")
Case Material	UL 94V-0 Rated Flame Retardant
Lead Wires	2.5 m (8 ft), Twisted Pair, 16 / 18 AWG
Operating Temperature	-25°C to 70°C / -13°F to 158°F
Storage Temperature	-40°C to 80°C / -40°F to 176°F
Operating Humidity	Non-Condensing, 5% to 95% RH
Installation Conditions	Indoor Use

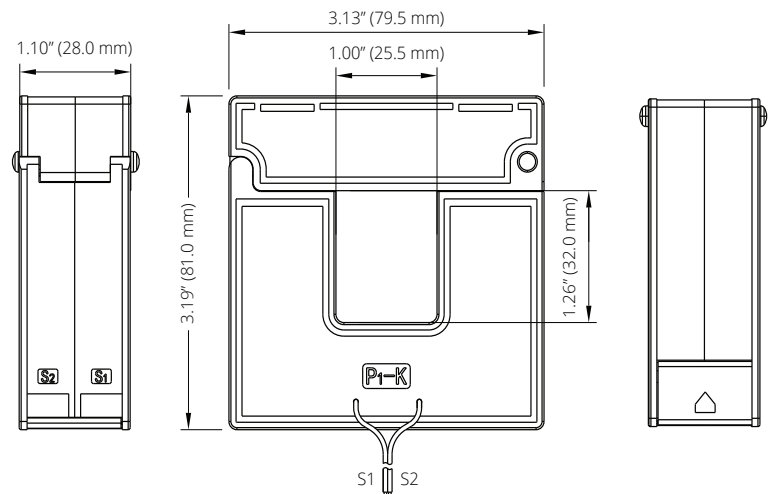
### ELECTRICAL

Wire Polarity	White=Positive, Black=Negative
Phase Orientation	P1-K Points Towards Source
Frequency Range	50 Hz - 400 Hz
Burden @ 80mA and 100mA Output	2.5 Ω - 10 Ω @ mA Output
Insulation Resistance	500 V / 100 MΩ min

### SAFETY/COMPLIANCE

Withstand Voltage	5.0 kV / 1 mA / 1 min
Rated Voltage	600VAC, Rated CAT IV, PD3
Certifications & Compliance	CE, RoHS, UL Listed UL2808, CSA 22.2, IEC 61010-1, and IEC 61869-2

### Dimensions

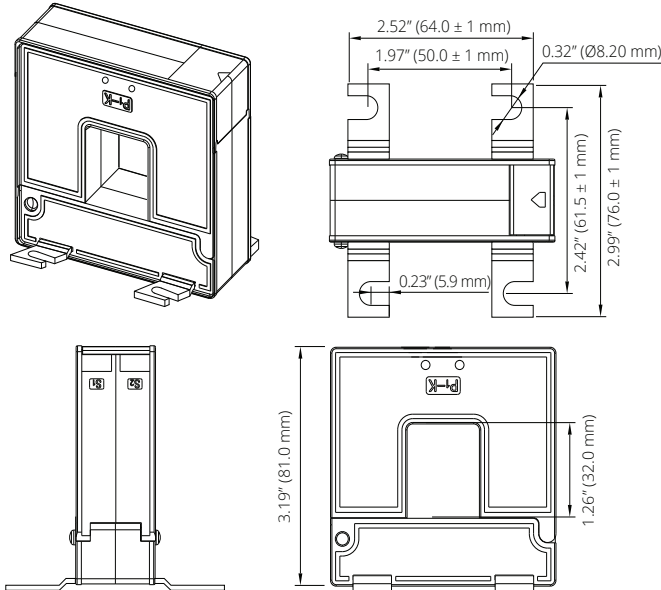


## Mounting Accessories

Two optional mounting kits are available and must be specified at the time of placing the order.

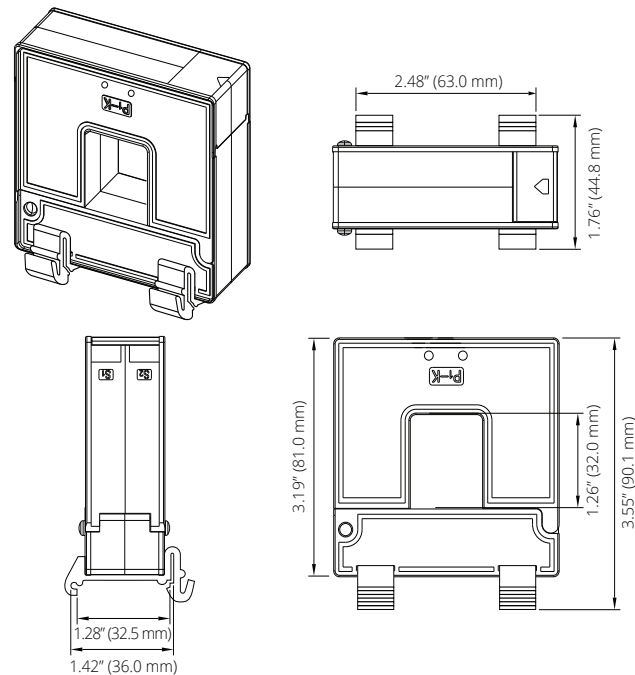
### 1. Bolt Mounting Kit

Optional bolt mounting kit is available for secure installation.



### 2. DIN Rail Mounting Kit

Compatible with standard 35mm DIN rail for convenient enclosure installation.



### Accuenergy Inc.

Los Angeles - Toronto - Pretoria

North America Toll Free: 1-877-721-8908

Web: [www.accuenergy.com](http://www.accuenergy.com)

Email: [marketing@accuenergy.com](mailto:marketing@accuenergy.com)

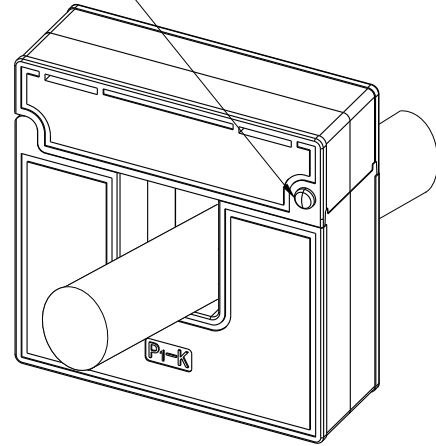
Revision Date: May 2026 Version: 1.0.0

Specs Subject To Change Without Notice.

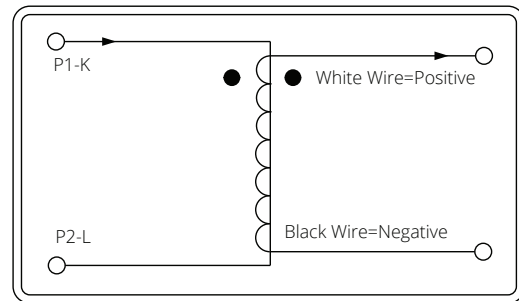
## Installation Instructions

1. Press the buttons on both sides of the upper housing of CT to open it, so that the primary conductor cable is connected to the current transformer without disconnecting the cable.

Press here to open CT



2. Insert the primary conductor cable through the window from P1-K side, which must point towards the source. The white wire is the positive lead, and the black wire is the negative lead. This will ensure correct phase orientation during installation.



## Ordering Information

Model	-	Rated Input	:	Rated Output
AcuCT-100A		100: 100A		80mA
		125: 125A		100mA
		150: 150A		333mV
		200: 200A		
		250: 250A		

Ordering Example	ACuCT-100A	-	100	:	100mA
------------------	------------	---	-----	---	-------

### + Accessories (Optional)

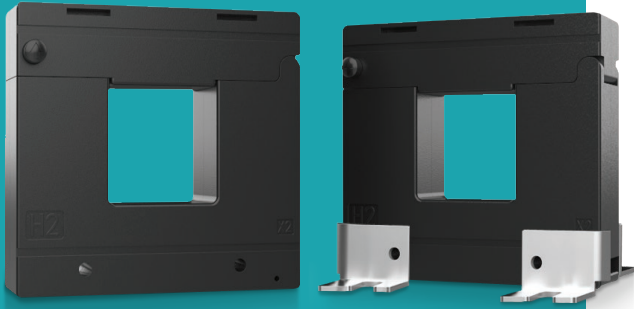
Model	-	Accessory	-	Mounting Options
ACUBRAC		SP6		Blank - Bolt Mounting Kit
				DIN - DIN Rail Mounting Kit

Ordering Example	ACUBRAC	-	SP6	-	DIN
------------------	---------	---	-----	---	-----

# AcuCT A Series

## AcuCT-142A

Revenue Grade Split-Core  
Current Transformer Datasheet



The AcuCT-142A is a premium, revenue grade split-core current transformer designed for high accuracy energy measurements and power monitoring applications. Multiple output options and class 0.5S accuracy, depending on the model, makes it ideal for metering and billing verification. The user-friendly press-open design with a durable, compact form factor enables fast installation. Optional zinc-plated mounting accessory provides stable connection and corrosion resistance for safety and quality in challenging applications.

### Features

- Revenue grade accuracy compliant with IEC 61869-2 Class 0.2, Class 0.5, and Class 0.5S from 1% - 120% of rated current.
- Multiple output options including 80mA, 100mA, and 333mV.
- Wide frequency for reliable operation from 50Hz to 400Hz.
- Press-open split-core design enables quick and simple installation.



### Specifications

<b>RATED CURRENT</b>	200A, 250A, 300A, 400A, 500A, 600A
Current Range	1% - 120%; 5% - 120% of Rated Current
Output	80mA, 100mA, 333mV
Accuracy	IEC 61869-2 Class 0.5 @ 200A - 300A IEC 61869-2 Class 0.5S @ 400A - 600A @ 80mA and 100mA IEC 61869-2 Class 0.2 @ 400A - 600A @ 333mV

### MECHANICAL/ENVIRONMENTAL

Form Factor	Press Open Split-Core CT
Window Size	36 mm x 36 mm (1.42" x 1.42")
Exterior Dimensions	89 mm x 96 mm x 32 mm (3.50" x 3.78" x 1.26")
Case Material	UL 94V-0 Rated Flame Retardant
Lead Wires	2.5 m (8 ft), Twisted Pair, 16 / 18 AWG
Operating Temperature	-25°C to 70°C / -13°F to 158°F
Storage Temperature	-40°C to 80°C / -40°F to 176°F
Operating Humidity	Non-Condensing, 5% to 95% RH
Installation Conditions	Indoor Use

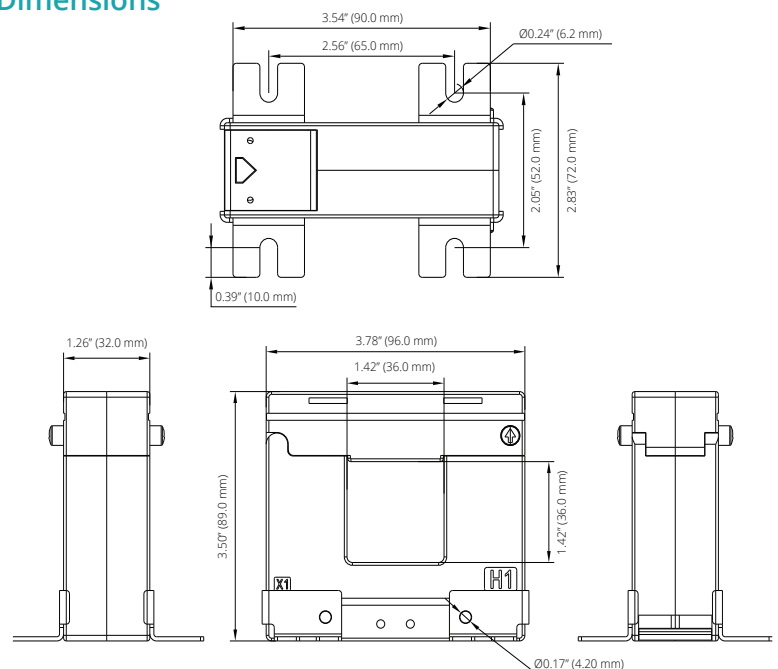
### ELECTRICAL

Wire Polarity	White=Positive, Black=Negative
Phase Orientation	H1 Points Towards Source
Frequency Range	50 Hz - 400 Hz
Burden @ 80mA and 100mA Output	2.5 Ω - 10 Ω @ mA Output
Insulation Resistance	500 V / 100 MΩ min

### SAFETY/COMPLIANCE

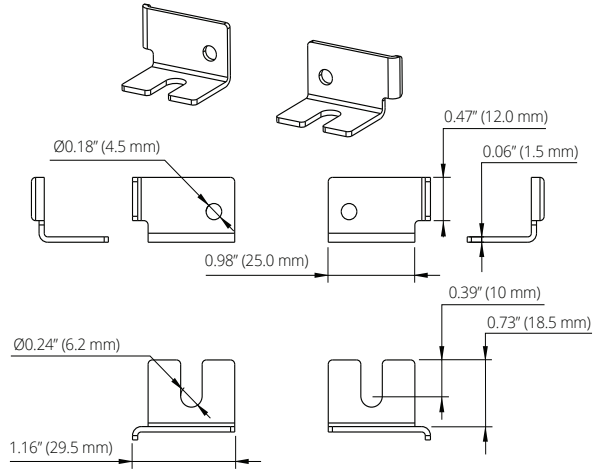
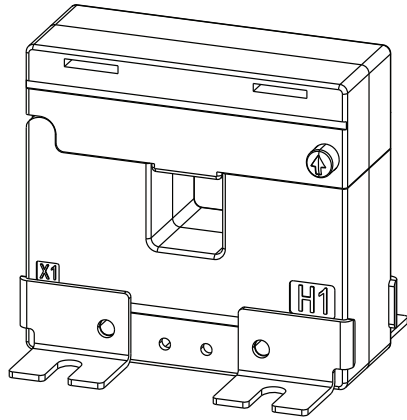
Withstand Voltage	5.0 kV / 1 mA / 1 min
Rated Voltage	600VAC, Rated CAT IV, PD3
Certifications & Compliance	CE, RoHS, UL Listed UL2808, CSA 22.2, IEC 61010-1, and IEC 61869-2

### Dimensions



## Mounting Accessory

Optional mounting kit is available which can be used to secure the device. Each kit includes 4 mounting brackets, 2 mounting screws (M4 x 40 mm), and 2 mounting nuts (M4 x 3 mm or M4 x 5 mm). The zinc-plated accessory provides corrosion protection and is recommended to be tightened at torque of 0.5 to 0.8 N·m.

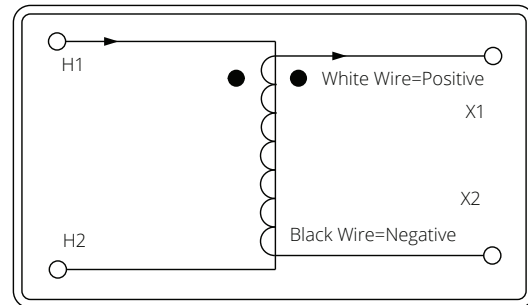
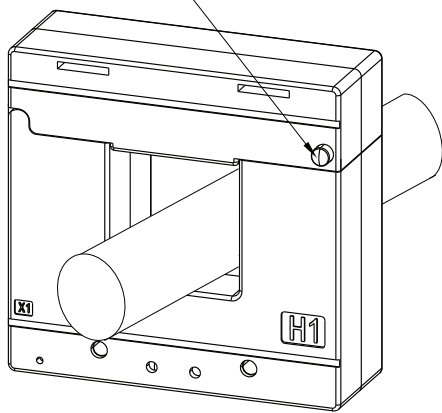


## Installation Instructions

1. Press the buttons on both sides of the upper housing of CT to open it, so that the primary conductor cable is connected to the current transformer.

2. Insert the primary conductor cable through the window from H1 side, which must point towards the source. The white wire is the positive lead, and the black wire is the negative lead. This will ensure correct phase orientation during installation.

Press here to open CT



## Ordering Information

Model	-	Rated Input	:	Rated Output
AcuCT-142A		200: 200A		80mA
		250: 250A		100mA
		300: 300A		333mV
		400: 400A		
		500: 500A		
		600: 600A		

**Ordering Example**    AcuCT-142A    -    200    :    100mA

+ **Accessory (Optional)**

Model	Accessory
ACUBRAC	SP7
<b>Ordering Example</b>	<b>ACUBRAC - SP7</b>



### Accuenergy Inc.

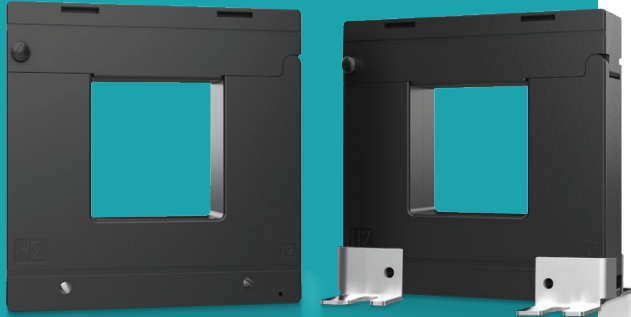
Los Angeles - Toronto - Pretoria  
 North America Toll Free: 1-877-721-8908  
 Web: [www.accuenergy.com](http://www.accuenergy.com)  
 Email: [marketing@accuenergy.com](mailto:marketing@accuenergy.com)

Revision Date: May 2026 Version: 1.0.0  
 Specs Subject To Change Without Notice.

# AcuCT A Series

## AcuCT-200A

Revenue Grade Split-Core  
Current Transformer Datasheet



The AcuCT-200A is a premium, revenue grade split-core current transformer designed for high accuracy energy measurements and power monitoring applications. Multiple output options and class 0.5S accuracy, depending on the model, makes it ideal for metering and billing verification. The user-friendly press-open design with a durable, compact form factor enables fast installation. Optional zinc-plated mounting accessory provides stable connection and corrosion resistance for safety and quality in challenging applications.

### Features

- Revenue grade accuracy compliant with IEC 61869-2 Class 0.2, Class 0.5, and Class 0.5S from 1% - 120% of rated current.
- Multiple output options including 80mA, 100mA, and 333mV.
- Wide frequency for reliable operation from 50Hz to 400Hz.
- Press-open split-core design enables quick and simple installation.



### Specifications

<b>RATED CURRENT</b>	400A, 500A, 600A, 750A, 800A, 1000A, 1200A, 1500A
Current Range	1% - 120%; 5% - 120% of Rated Current
Output	80mA, 100mA, 333mV
Accuracy	IEC 61869-2 Class 0.5 @ 400A - 500A IEC 61869-2 Class 0.5S @ 600A - 1500A @ 80mA and 100mA IEC 61869-2 Class 0.2 @ 600A - 1500A @ 333mV

### MECHANICAL/ENVIRONMENTAL

Form Factor	Press Open Split-Core CT
Window Size	51 mm x 51 mm (2.01" x 2.01")
Exterior Dimensions	111 mm x 115 mm x 32 mm (4.37" x 4.53" x 1.26")
Case Material	UL 94V-0 Rated Flame Retardant
Lead Wires	2.5 m (8 ft), Twisted Pair, 16 / 18 AWG
Operating Temperature	-25°C to 70°C / -13°F to 158°F
Storage Temperature	-40°C to 80°C / -40°F to 176°F
Operating Humidity	Non-Condensing, 5% to 95% RH
Installation Conditions	Indoor Use

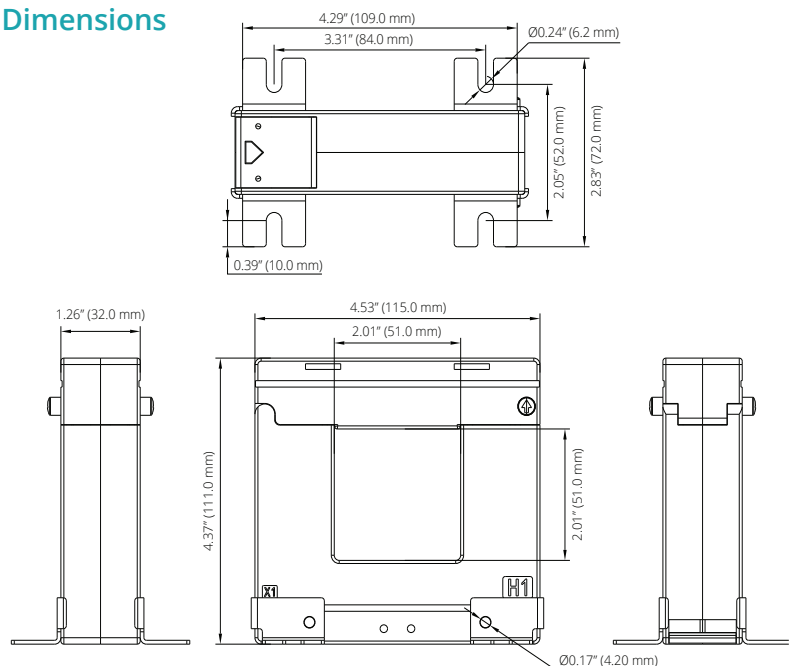
### ELECTRICAL

Wire Polarity	White=Positive, Black=Negative
Phase Orientation	H1 Points Towards Source
Frequency Range	50 Hz - 400 Hz
Burden @ 80mA and 100mA Output	2.5 Ω - 10 Ω @ mA Output
Insulation Resistance	500V / 100 MΩ min

### SAFETY/COMPLIANCE

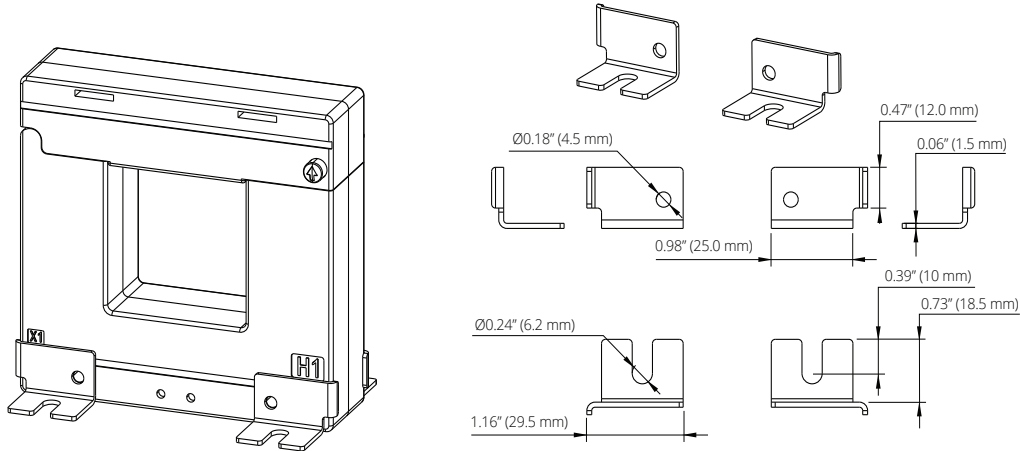
Withstand Voltage	5.0 kV / 1 mA / 1 min
Rated Voltage	600VAC, Rated CAT IV, PD3
Certifications & Compliance	CE, RoHS, UL Listed UL2808, CSA 22.2, IEC 61010-1, and IEC 61869-2

### Dimensions



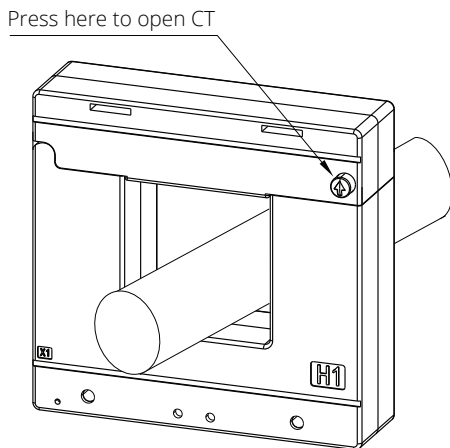
## Mounting Accessory

Optional mounting kit is available which can be used to secure the device. Each kit includes 4 mounting brackets, 2 mounting screws (M4 x 40 mm), and 2 mounting nuts (M4 x 3 mm or M4 x 5 mm). The zinc-plated accessory provides corrosion protection and is recommended to be tightened at torque of 0.5 to 0.8 N·m.

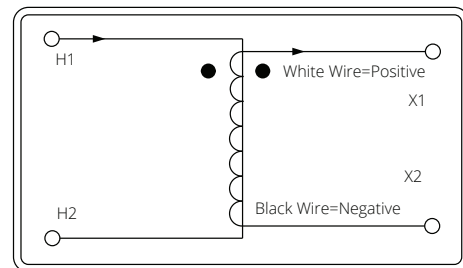


## Installation Instructions

1. Press the buttons on both sides of the upper housing of CT to open it, so that the primary conductor cable is connected to the current transformer.



2. Insert the primary conductor cable through the window from H1 side, which must point towards the source. The white wire is the positive lead, and the black wire is the negative lead. This will ensure correct phase orientation during installation.



## Ordering Information

Model	-	Rated Input	:	Rated Output
AcuCT-200A		400: 400A		80mA
		500: 500A		100mA
		600: 600A		333mV
		750: 750A		
		800: 800A		
		1000: 1000A		
		1200: 1200A		
		1500: 1500A		

**Ordering Example**    AcuCT-200A    -    400    :    100mA

### + Accessory (Optional)

Model	Accessory
ACUBRAC	SP7
<b>Ordering Example</b>	<b>ACUBRAC - SP7</b>



### Accuenergy Inc.

Los Angeles - Toronto - Pretoria  
 North America Toll Free: 1-877-721-8908  
 Web: www.accuenergy.com  
 Email: marketing@accuenergy.com

Revision Date: May 2026 Version: 1.0.0  
 Specs Subject To Change Without Notice.

# AcuCT A Series

## AcuCT-3337A

Revenue Grade Split-Core  
Current Transformer Datasheet



The AcuCT-3337A is a premium, revenue grade split-core current transformer designed for high accuracy energy measurements and power monitoring applications. Multiple output options and class 0.5S accuracy, depending on the model, makes it ideal for metering and billing verification. The user-friendly press-open design with a durable, compact form factor enables fast installation. Optional zinc-plated mounting accessory provides stable connection and corrosion resistance for safety and quality in challenging applications.

### Features

- Revenue grade accuracy compliant with IEC 61869-2 Class 0.2 and Class 0.5S from 1% - 120% of rated current.
- Multiple output options including 80mA, 100mA, and 333mV.
- Wide frequency for reliable operation from 50Hz to 400Hz.
- Press-open split-core design enables quick and simple installation.



### Specifications

<b>RATED CURRENT</b>	600A, 750A, 800A, 1000A, 1200A, 1250A, 1500A, 2000A
Current Range	1% - 120%; 5% - 120% of Rated Current
Output	80mA, 100mA, 333mV
Accuracy	IEC 61869-2 Class 0.5S @ 600A - 2000A @80mA and 100mA
	IEC 61869-2 Class 0.2 @ 800A - 2000A @ 333mV

### MECHANICAL/ENVIRONMENTAL

Form Factor	Press Open Split-Core CT
Window Size	85 mm x 95 mm (3.35" x 3.74")
Exterior Dimensions	160 mm x 151 mm x 32 mm (6.30" x 5.94" x 1.26")
Case Material	UL 94V-0 Rated Flame Retardant
Lead Wires	2.5 m (8 ft), Twisted Pair, 16 / 18 AWG
Operating Temperature	-25°C to 70°C / -13°F to 158°F
Storage Temperature	-40°C to 80°C / -40°F to 176°F
Operating Humidity	Non-Condensing, 5% to 95% RH
Installation Conditions	Indoor Use

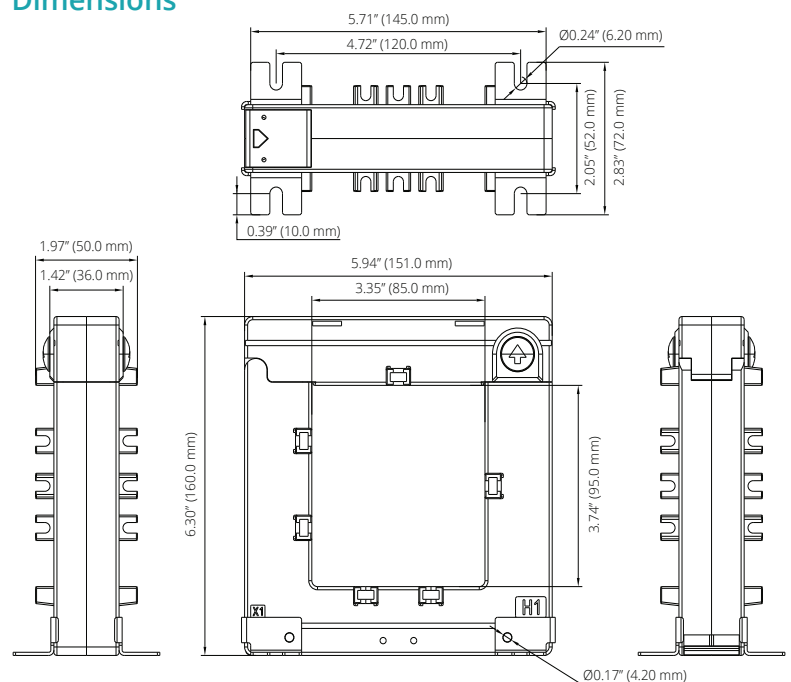
### ELECTRICAL

Wire Polarity	White=Positive, Black=Negative
Phase Orientation	H1 Points Towards Source
Frequency Range	50 Hz - 400 Hz
Burden @ 80mA and 100mA Output	10 Ω @ mA Output
Insulation Resistance	500 V / 100 MΩ min

### SAFETY/COMPLIANCE

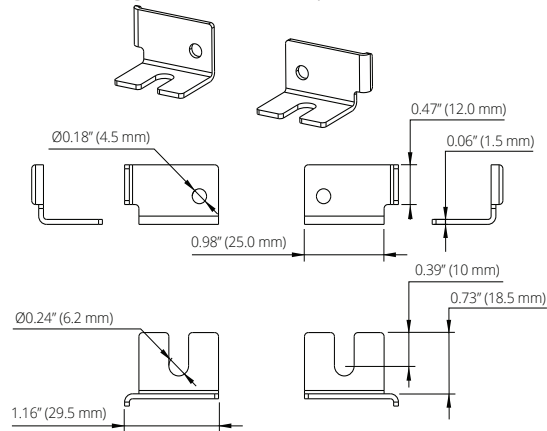
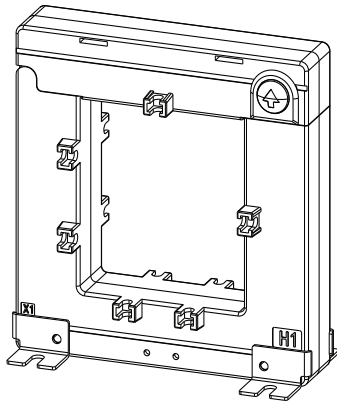
Withstand Voltage	5.0 kV / 1 mA / 1 min
Rated Voltage	600VAC, Rated CAT IV, PD3
Certifications & Compliance	CE, RoHS, UL Listed UL2808, CSA 22.2, IEC 61010-1, and IEC 61869-2

### Dimensions



## Mounting Accessory

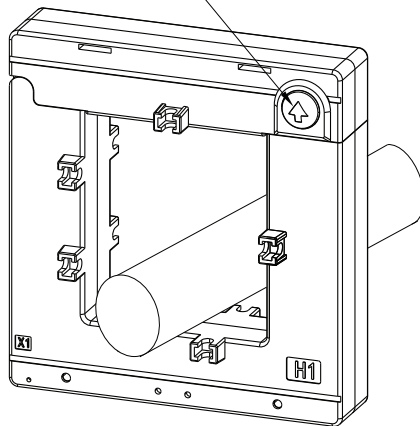
Optional mounting kit is available which can be used to secure the device. Each kit includes 4 mounting brackets, 2 mounting screws (M4 x 45 mm), and 2 mounting nuts (M4 x 3 mm or M4 x 5 mm). The zinc-plated accessory provides corrosion protection and is recommended to be tightened at torque of 0.5 to 0.8 N·m.



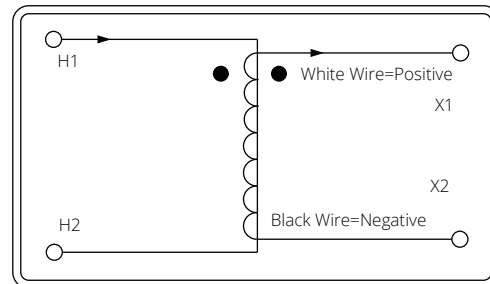
## Installation Instructions

1. Press the buttons on both sides of the upper housing of CT to open it, so that the primary conductor cable is connected to the current transformer.

Press here to open CT



2. Insert the primary conductor cable through the window from H1 side, which must point towards the source. The white wire is the positive lead, and the black wire is the negative lead. This will ensure correct phase orientation during installation.



## Ordering Information

Model	Rated Input	Rated Output
AcuCT-3337A	600: 600A	80mA
	750: 750A	100mA
	800: 800A	333mV
	1000: 1000A	
	1200: 1200A	
	1250: 1250A	
	1500: 1500A	
	2000: 2000A	

**Ordering Example**    AcuCT-3337A    -    600    :    100mA

+ **Accessory (Optional)**

Model	Accessory
ACUBRAC	SP8
<b>Ordering Example</b>	<b>ACUBRAC - SP8</b>



### Accuenergy Inc.

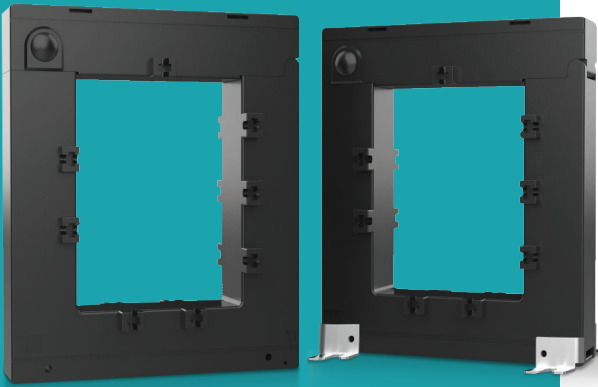
Los Angeles - Toronto - Pretoria  
 North America Toll Free: 1-877-721-8908  
 Web: [www.accuenergy.com](http://www.accuenergy.com)  
 Email: [marketing@accuenergy.com](mailto:marketing@accuenergy.com)

Revision Date: May 2026 Version: 1.0.0  
 Specs Subject To Change Without Notice.

# AcuCT A Series

## AcuCT-4153A

Revenue Grade Split-Core  
Current Transformer Datasheet



The AcuCT-4153A is a premium, revenue grade split-core current transformer designed for high accuracy energy measurements and power monitoring applications. Multiple output options and class 0.5S accuracy, depending on the model, makes it ideal for metering and billing verification. The user-friendly press-open design with a durable, compact form factor enables fast installation. Optional zinc-plated mounting accessory provides stable connection and corrosion resistance for safety and quality in challenging applications.

### Features

- Revenue grade accuracy compliant with IEC 61869-2 Class 0.2 and Class 0.5S from 1% - 120% of rated current.
- Multiple output options including 80mA, 100mA, and 333mV.
- Wide frequency for reliable operation from 50Hz to 400Hz.
- Press-open split-core design enables quick and simple installation.



### Specifications

<b>RATED CURRENT</b>	1000A, 1200A, 1250A, 1500A, 1600A, 2000A, 2500A, 3000A, 3500A, 4000A, 5000A
Current Range	1% - 120%; 5% - 120% of Rated Current
Output	80mA, 100mA, 333mV
Accuracy	IEC 61869-2 Class 0.5S @ 1000A - 5000A @ 80mA and 100mA IEC 61869-2 Class 0.2 @ 1500A - 5000A @ 333mV

### MECHANICAL/ENVIRONMENTAL

Form Factor	Press Open Split-Core CT
Window Size	105 mm x 135 mm (4.13" x 5.31")
Exterior Dimensions	215 mm x 185 mm x 45 mm (8.46" x 7.28" x 1.77")
Case Material	UL 94V-0 Rated Flame Retardant
Lead Wires	2.5 m (8 ft), Twisted Pair, 16 / 18 AWG
Operating Temperature	-25°C to 70°C / -13°F to 158°F
Storage Temperature	-40°C to 80°C / -40°F to 176°F
Operating Humidity	Non-Condensing, 5% to 95% RH
Installation Conditions	Indoor Use

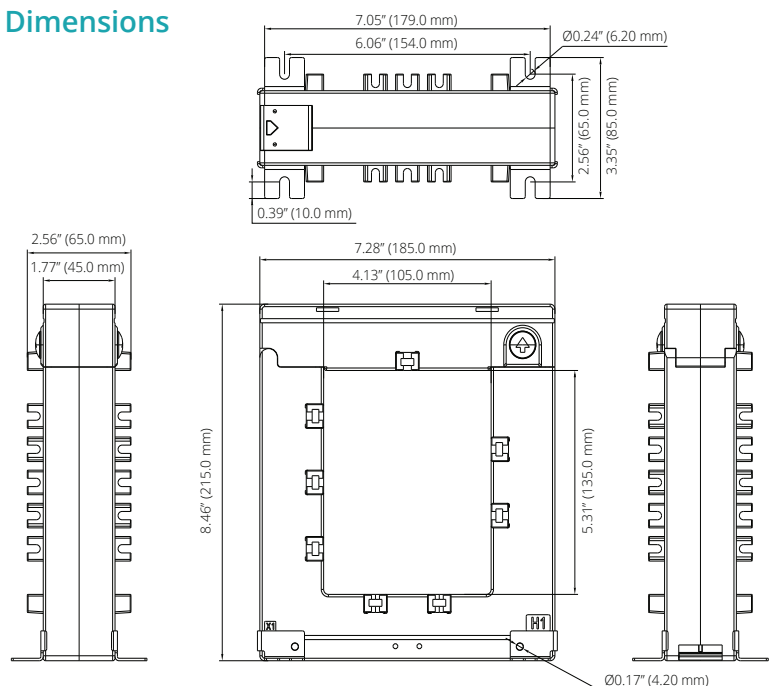
### ELECTRICAL

Wire Polarity	White=Positive, Black=Negative
Phase Orientation	H1 Points Towards Source
Frequency Range	50 Hz - 400 Hz
Burden @ 80mA and 100mA Output	10 Ω @ mA Output
Insulation Resistance	500 V / 100 MΩ min

### SAFETY/COMPLIANCE

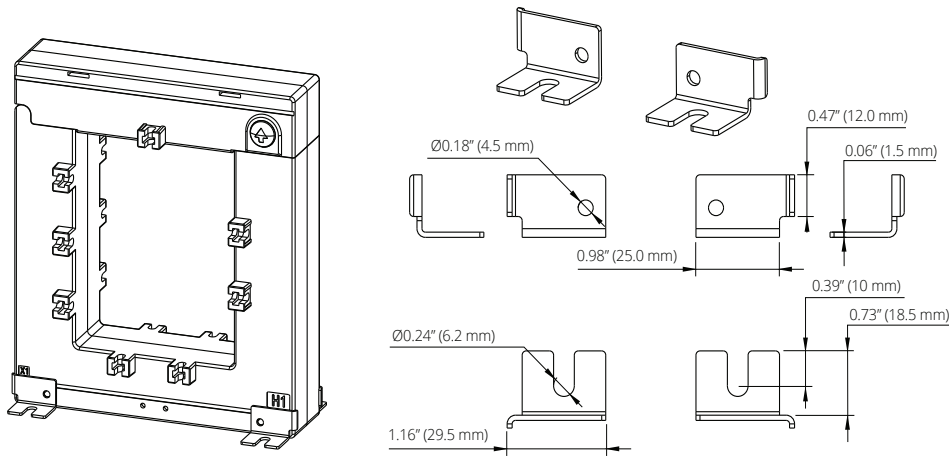
Withstand Voltage	5.0 kV / 1mA / 1min
Rated Voltage	600VAC, Rated CAT IV, PD3
Certifications & Compliance	CE, RoHS, UL Listed UL2808, CSA 22.2, IEC 61010-1, and IEC 61869-2

### Dimensions



## Mounting Accessory

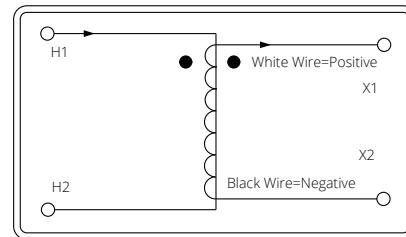
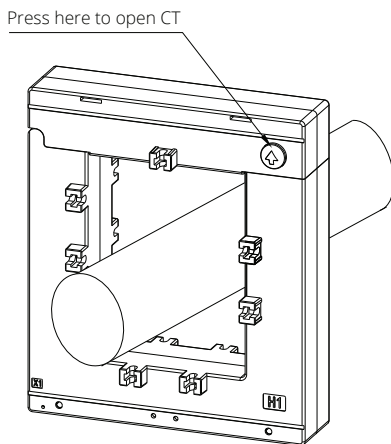
Optional mounting kit is available which can be used to secure the device. Each kit includes 4 mounting brackets, 2 mounting screws (M4 x 55 mm), and 2 mounting nuts (M4 x 3 mm or M4 x 5 mm). The zinc-plated accessory provides corrosion protection and is recommended to be tightened at torque of 0.5 to 0.8 N·m.



## Installation Instructions

1. Press the buttons on both sides of the upper housing of CT to open it, so that the primary conductor cable is connected to the current transformer.

2. Insert the primary conductor cable through the window from H1 side, which must point towards the source. The white wire is the positive lead, and the black wire is the negative lead. This will ensure correct phase orientation during installation.



## Ordering Information

Model	- Rated Input	: Rated Output
AcuCT-4153A	1000: 1000A	80mA
	1200: 1200A	100mA
	1250: 1250A	333mV
	1500: 1500A	
	1600: 1600A	
	2000: 2000A	
	2500: 2500A	
	3000: 3000A	
	3500: 3500A	
	4000: 4000A	
	5000: 5000A	

**Ordering Example**    AcuCT-4153A -    1000    :    100mA

+ **Accessory (Optional)**

Model	Accessory
ACUBRAC	SP5

**Ordering Example**    **ACUBRAC - SP5**



### Accuenergy Inc.

Los Angeles - Toronto - Pretoria  
 North America Toll Free: 1-877-721-8908  
 Web: [www.accuenergy.com](http://www.accuenergy.com)  
 Email: [marketing@accuenergy.com](mailto:marketing@accuenergy.com)

Revision Date: May 2026 Version: 1.0.0  
 Specs Subject To Change Without Notice.