

AcuCT Hinged EF Series

AcuCT-H063

Extended Frequency Hinged Split-Core Current Transformer Datasheet



Ultra-compact design with a hinged opening, the AcuCT Hinged extended frequency split-core current transformers are high-accuracy sensors for electrical current signature analysis up to 2kHz. With an optimized frequency response, the AcuCT-H063 is ideally suited for motor current signature analysis and harmonic current analysis. It can be used for branch circuit monitoring in crowded electrical panels. The installer-friendly, hinged design facilitates fast installation without cable or wire disconnection.

Features

- High accuracy with 0.5% ratio error
- Inherently safe 333mV output
- Hinged split-core design for quick installation
- Compact design for electrical panels with limited space
- UL Recognized



Accuenergy (Canada) Inc.
 Los Angeles - Toronto - Beijing - Pretoria
 North America Toll Free: 1-877-721-8908
 Web: www.accuenergy.com
 Email: marketing@accuenergy.com

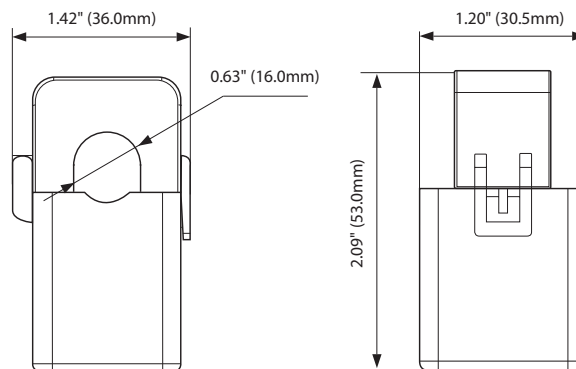
Revision Date: May 2026 Version: 1.0.0
 Specs Subject To Change Without Notice.



Specifications

RATED CURRENT	5A, 10A, 25A, 50A, 100A, 150A
Current Range	5% - 120% of rated current
Output	333mV
Ratio Error	0.5%
MECHANICAL/ENVIRONMENTAL	
Form Factor	Hinged Split-Core CT
Window Size	16.0mm (0.63")
Exterior Dimensions	36.0mm x 30.5mm x 53.0mm 1.42" x 1.20" x 2.09"
Case Material	Black Nylon, UL 94V-0
Lead Wires	2.5m (8ft) Twisted Pair, 22AWG
Operating Temperature	-25 °C to 70 °C / -13 °F to 158 °F
Operating Humidity	Non-Condensing, 0 to 95% RH
Installation Conditions	Indoor Use
ELECTRICAL	
Wire Polarity	White=Positive, Black=Negative
Phase Orientation	Arrow Points Towards Load
Linearity	≤ ±1% up to 10x Overload
Phase Displacement	≤ ±2° for 5A, 10A ≤ ±1° for 25A, 50A, 100A, 150A
Frequency Range	50/60 Hz
Frequency Response	50Hz – 2kHz
Burden @ 5A, 10A, 25A, 50A, 100A, 150A	5A: 85Ω / 10A: 45Ω / 25A: 30Ω / 50A: 20Ω / 100A: 10Ω / 150A: 6.66Ω
SAFETY/COMPLIANCE	
Withstand Voltage	3.0kV / 1mA / 1min
Rated Voltage	600 VAC
Certifications	CE, RoHS, cURus (E359521)

Dimensions



Ordering Information

Model	Rated Input	Rated Output	Frequency Bandwidth
AcuCT-H063	5: 5A	333mV	2K
	10: 10A		
	25: 25A		
	50: 50A		
	100: 100A		
	150: 150A		

Ordering Example AcuCT-H063 - 10 : 333mV - 2K