

AcuCT Hinged EF Series

AcuCT-H138

Extended Frequency Hinged Split-Core Current Transformer Datasheet



Ultra-compact design with a hinged opening, the AcuCT Hinged extended frequency split-core current transformers are high-accuracy sensors for electrical current signature analysis up to 2kHz. With an optimized frequency response, the AcuCT-H138 is ideally suited for motor current signature analysis and harmonic current analysis. It can be used for branch circuit monitoring in crowded electrical panels. The installer-friendly, hinged design facilitates fast installation without cable or wire disconnection.

Features

- High accuracy: Compliant with IEC 61869-2 Class 0.5
- Inherently safe 333mV output
- Hinged split-core design for quick installation
- Compact design for electrical panels with limited space
- UL Recognized



Accuenergy (Canada) Inc.
 Los Angeles - Toronto - Beijing - Pretoria
 North America Toll Free: 1-877-721-8908
 Web: www.accuenergy.com
 Email: marketing@accuenergy.com

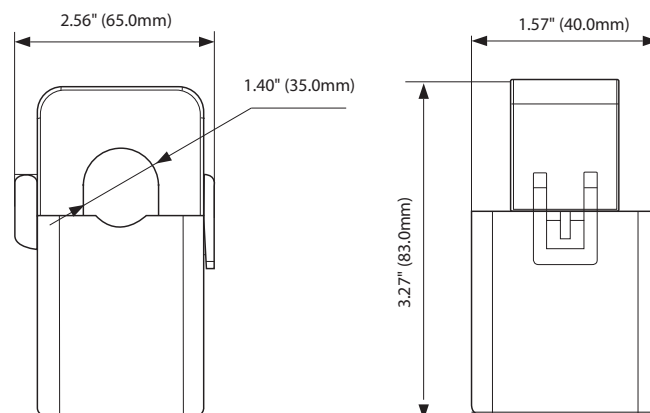
Revision Date: May 2026 Version: 1.0.0
 Specs Subject To Change Without Notice.

Specifications



RATED CURRENT		200A, 400A, 600A
Current Range	5% - 120% of Rated Current	
Output	333mV	
Accuracy	IEC 61869-2 Class 0.5	
MECHANICAL/ENVIRONMENTAL		
Form Factor	Hinged Split-Core CT	
Window Size	35.0mm (1.40")	
Exterior Dimensions	65.00mm x 40.00mm x 83.00mm 2.56" x 1.57" x 3.27"	
Case Material	Black Nylon, UL 94V-0	
Lead Wires	2.5m (8ft) Twisted Pair, 22AWG	
Operating Temperature	-25°C to 70°C / -13°F to 158°F	
Operating Humidity	Non-Condensing, 0 to 95% RH	
Installation Conditions	Indoor Use	
ELECTRICAL		
Wire Polarity	White=Positive, Black=Negative	
Phase Orientation	Arrow Points Towards Load	
Linearity	≤ ±0.5% across Full Current Range ≤ ±2% at 10x Overload	
Phase Displacement	< ±0.5° at Rated Current	
Frequency Range	50/60 Hz	
Frequency Response	50Hz - 2kHz	
Burden @ 200A, 400A, 600A	200A: 5Ω / 400A: 5Ω / 600A: 3.33Ω	
SAFETY/COMPLIANCE		
Withstand Voltage	3.0kV / 1mA / 1min	
Rated Voltage	600 VAC	
Certifications	CE, RoHS, cURus (E359521), IEC 61869-2	

Dimensions



Ordering Information

Model	- Rated Input	: Rated Output	- Frequency Bandwidth
AcuCT-H138	200: 200A	333mV	2K
	400: 400A		
	600: 600A		

Ordering Example	AcuCT-H138	-	200	:	333mV	-	2K
-------------------------	-------------------	----------	------------	----------	--------------	----------	-----------