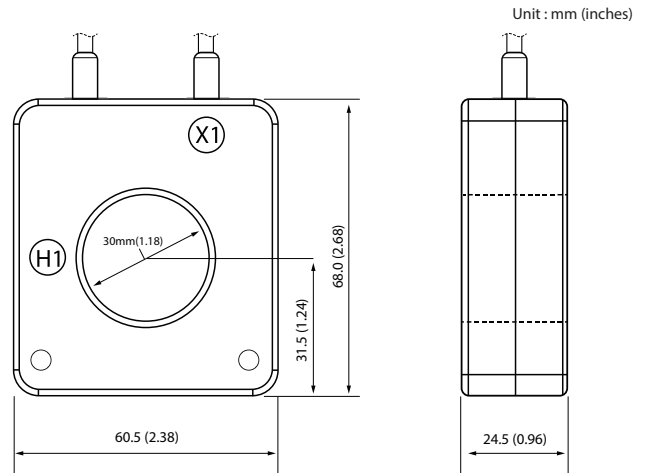


AcuCT-S113

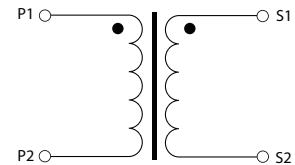
Solid Core Current Transformer



DIMENSION



Schematic:



SPECIFICATIONS

Item	Unit	Spec
Rated Voltage	V	<1000V
Current Input	I_n	0-400A(r.m.s)
Current Output	I_o	0-5A(r.m.s)
Burden		$\leq 3.75VA$
RF	I_n	$1.2I_n$
Rated Frequency	f	50Hz-60Hz
Ratio Error	f	$\leq \pm 1.0\%$
Phase Error	δ	$\leq 60'$
Measurement Range	-	5-120%
Insulation resistance	V_d	500V/100M Ω min
Humidity	RH	<90%
Output Form Factor	L	Terminal
Weight	G	177g
Operating Temperature	Ta	-25°C+70°C
Storage temperature	-	-40°C+85°C

ORDERING INFORMATION

	Model	Current Input Rating	Output Option
Ordering Number			
Ordering Example	AcuCT-S113	- 200:	- 5
	AcuCT S113	200: 200A	5
	AcuCT S113	300: 300A	5
	AcuCT S113	400: 400A	5

TEST

Number		5% I_n	20% I_n	50% I_n	100% I_n	120% I_n	DCR(Ω)	Load
1#	ratio error(%)	-0.84	-0.36	-0.07	0.09	0.06	0.1	3.75VA
	phase error (')	35	18	5	0	1		
2#	ratio error(%)	-0.65	-0.04	0.18	0.31	0.29	0.1	3.75VA
	phase error (')	21	12	5	-2	-1		
3#	ratio error(%)	-0.83	-0.40	-0.11	0.10	0.07	0.1	3.75VA
	phase error (')	35	18	5	-2	0		



Accuenergy Corp.

Los Angeles | Toronto | Beijing | Pretoria
 North America Toll Free: 1-877-721-8908
 Web: www.accuenergy.com
 Email: marketing@accuenergy.com

