

AcuPanel 9108X

Pre-Wired Power Quality Control
Panel Datasheet

ACCUEnergy



UL
508A

DESCRIPTION

The AcuPanel 9108X, featuring the factory-installed Acuvim 3 power quality meter, delivers precise and reliable energy measurements for a variety of applications. This pre-wired and pre-configured industrial control panel is ideal for both OEM projects and retrofit installations. Designed for convenience and reliability, the NEMA 4X rating and UL Listed certification ensure safe operation for both indoor and outdoor uses. Each AcuPanel 9108X undergoes rigorous testing to guarantee dependable, long-term performance.

FEATURES

- + Includes the Acuvim 3 Series power quality meter.
- + Self-powered panel that supports line-to-neutral connection, does not require a separate power supply.
- + Pre-wired for fast and reliable installation, with all necessary fuses, shorting blocks, and terminal blocks pre-installed and clearly labeled.
- + The lockable design offers secure protection against unauthorized tampering.
- + Polycarbonate enclosure with NEMA 4X rating, suitable for indoor and outdoor applications.
- + Simple grounding included inside each enclosure.
- + Pre-cut holes to allow wires to run through.
- + No control transformer needed.
- + UL Listed to ensure safe operations.

KEY FEATURES

Power Quality Metering

- + Featuring the Acuvim 3, a premium power quality analyzer, the AcuPanel 9108X features a vibrant color touch screen display and complies with the IEC 61000-4-30 Class A standards, which is a globally recognized certification that ensures the precise measurement of various power quality parameters. AcuPanel 9108X is ideal for critical infrastructures, industrial facilities, and any application that requires consistent and accurate power quality data.

UL Certified

- + Being UL Listed and UL 508A certified ensures AcuPanel 9108X meets the toughest industry safety standards for control panels. Users can trust that the panel adheres to the regulatory requirements, making inspections and approval processes easier. These certifications guarantee reliable protection against electrical shocks, fire hazards, and other environmental elements.

Self-Powered Panel

- + Designed to simplify installation, the AcuPanel 9108X requires no separate power source, as it can be directly connected in a line-to-neutral configuration. With an integrated grounding setup, it seamlessly integrates into any power system without complex wiring. The self-powered design minimizes installation time, enabling quick deployment, making it an ideal solution for OEM projects that require efficient and streamlined setup.

Custom OEM Solutions

- + Showcase your logo with custom branding.
- + Customize the panel with specialized OEM components, such as gateways, cellular modems, or power supplies.
- + Customize the panel dimensions to fit your space or equipment requirements.
- + Reach out to our energy metering specialists to create a tailored panel solution for any unique application.

Revenue Grade Accuracy

- + The AcuPanel 9108X delivers IEC 62053-22 Class 0.1S and ANSI C12.20 Class 0.1 compliant revenue-grade accuracy with the Acuvim 3 advanced power quality analyzer, making the AcuPanel 9108X ideal for tenant billing and energy consumption tracking. The panel provides precise insights into energy consumption, enabling users to enhance energy efficiency, minimize downtime, and reduce waste.

Clean Wire Management

- + AcuPanel 9108X eliminates the risks of manual wiring errors by featuring factory-assembled, pre-wired components that are thoroughly tested for safety and optimal performance. Colour-coded and clearly labeled, the components simplify future maintenance and reduce the likelihood of wiring mistakes. AcuPanel 9108X not only accelerates installation and deployment, but also ensures dependable long-term performance, making the panel an ideal solution for complex electrical systems.

NEMA 4X Rated Enclosure

- + The AcuPanel 9108X is built with a durable, NEMA 4X rated polycarbonate enclosure, making it suitable for both indoor and outdoor applications. It provides reliable protection against harsh environmental conditions, including dust, water, and extreme temperatures. This robust design ensures that sensitive metering equipments are protected, delivering long-term reliability and dependable performance.

Secure Tamper-Proof Solution

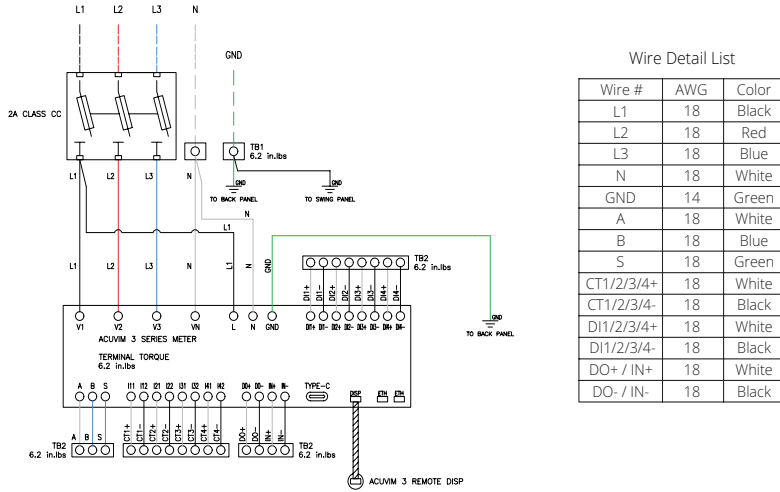
- + The AcuPanel 9108X features lockable enclosures and metrology security seals, providing enhanced protection for metering equipment. The secure design ensures data integrity by preventing unauthorized access and tampering, helping to extend the lifespan of critical devices.

APPLICATIONS

- + OEM
- + Power Distribution
- + SCADA
- + Critical Infrastructure
- + Manufacturing Facilities
- + Telecommunications
- + Transportation Monitoring

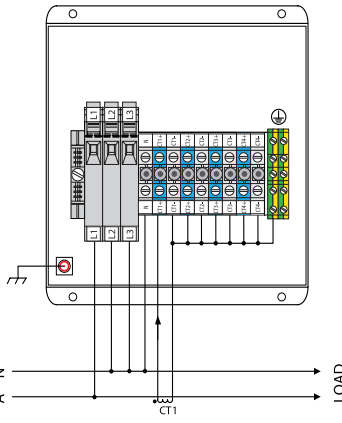
WIRING DIAGRAMS

15 A Disconnect and Circuit Breaker or Fuse - 120-327VAC L-N

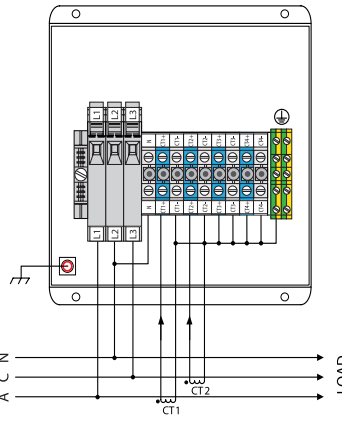


Typical Wiring with 5A/1A Current Input

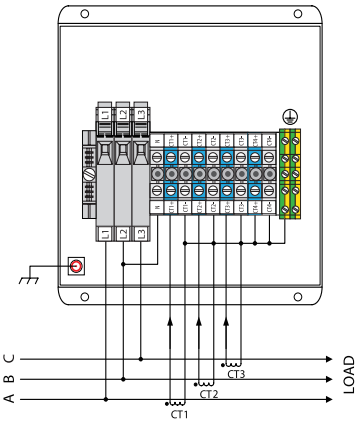
1 Element 2 Wire:
(1LN, 1CT)



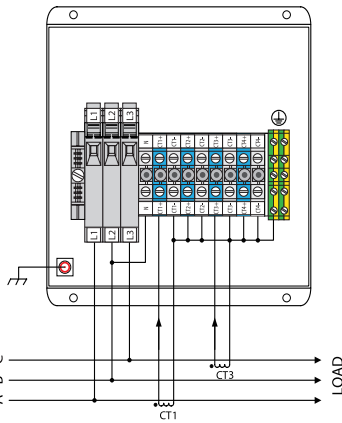
2 Element 3 Wire 1 Phase:
(1LL, 2CT)



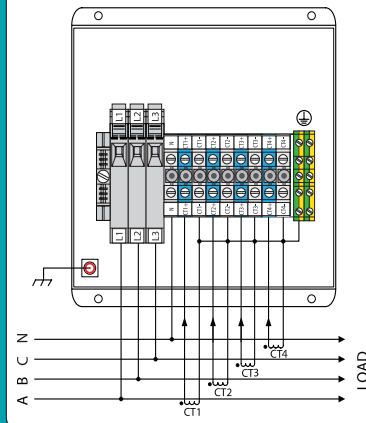
2 Element 3 Wire Delta:
(2LL, 3CT)



2 Element 3 Wire Delta:
(2LL, 2CT)



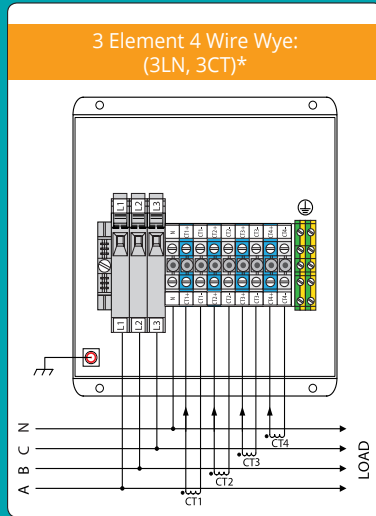
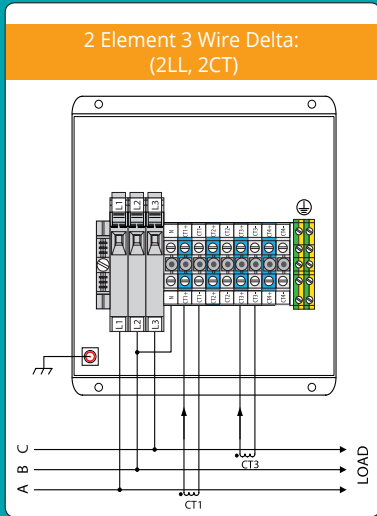
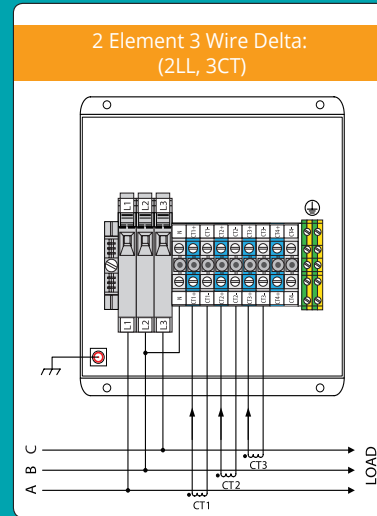
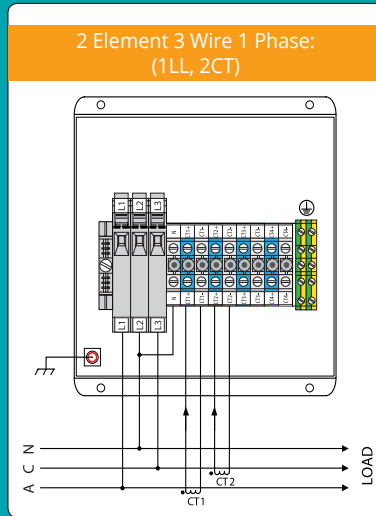
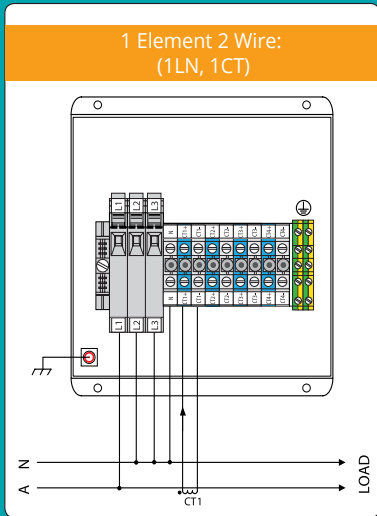
3 Element 4 Wire Wye:
(3LN, 3CT)*



Note: *Neutral CT is optional

WIRING DIAGRAMS

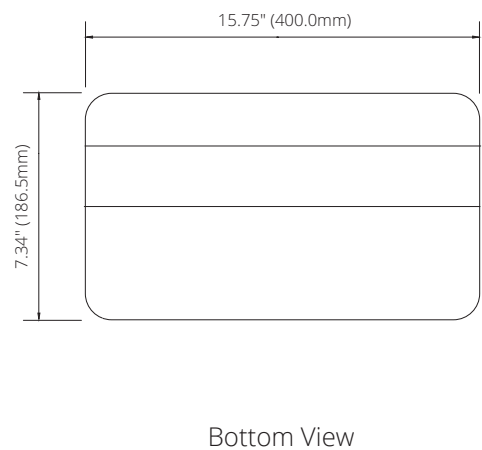
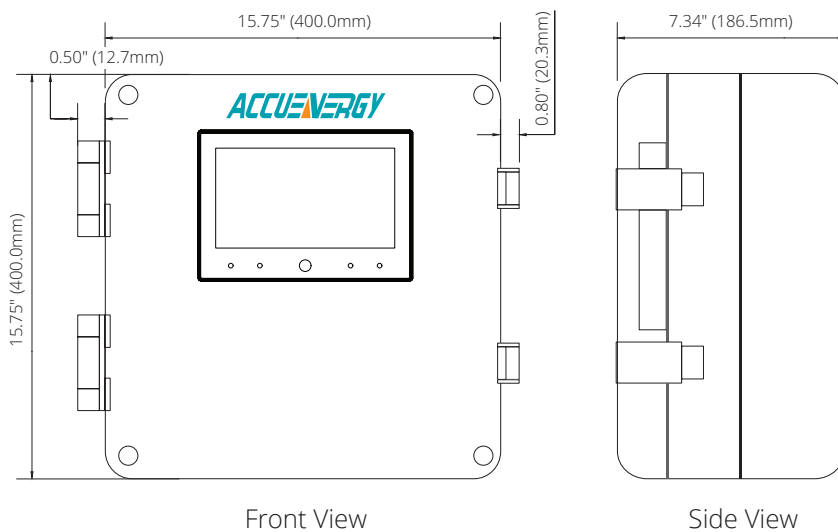
Typical Wiring RCT/mV Current Input



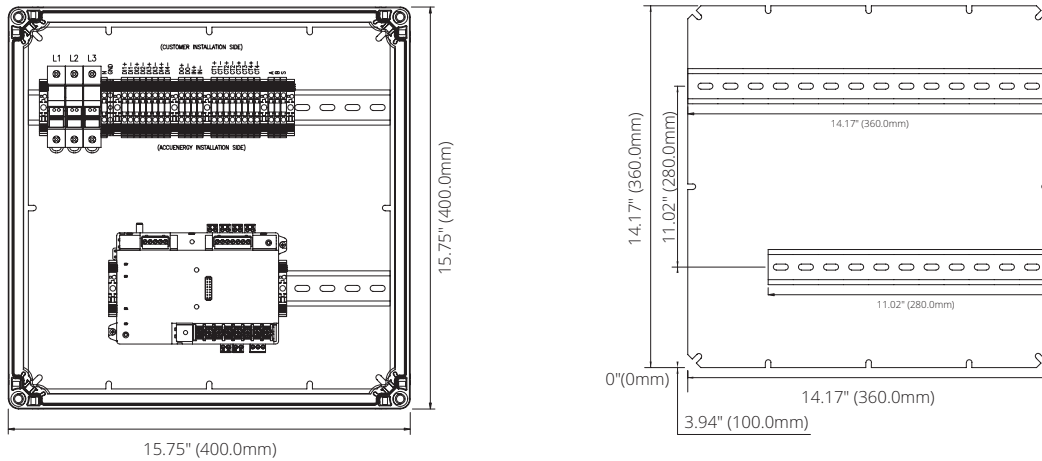
Note: *Neutral CT is optional

DIMENSIONS

AcuPanel 9108X Waterproof Polycarbonate Panel



DIMENSIONS



Front Inside View

ACCESSORIES & COMPONENTS



AcuPanel 9108X Opaque Cover [†]

The opaque cover is designed to protect the meter screen from potential damage caused by prolonged exposure to direct sunlight. By effectively shielding the screen, it prevents the LCD display from fading, discolouring, or deteriorating over time, ensuring that the meter maintains its visibility and functionality even in the long run.

ORDERING INFORMATION

Acuvim 3 Pre-Wired Control Panel

+	Enclosure Type	- Meter Series	- Current Input Option	- Power Supply	- I/O Module	- Opaque Cover [†]
	AcuPanel 9108X: Pre-wired NEMA 4X Enclosure	3: Acuvim 3 Power Quality Meter	5A: 1A or 5A	P1: 100-415V L-N	Blank: None	OPAQUE
			mV: 333mV or Accuenergy Rogowski Coil	P2: Auxiliary Powered Using 20-60Vdc	IO1: Additional Module with 6DI, 24Vdc Power Supply for DI, 2RO	
				P3: 480V Delta	IO2: Additional Module with 4DI, 2AO, 2RO	
				P4: 600V Delta	IO3: Additional Module with 4DI, 2AI, 2RO	

Ordering Example: **AcuPanel 9108X-3-5A-P1-IO1**

[†] Include the opaque cover for panel installations where the meter LCD display will be exposed to direct sunlight.



Accuenergy Inc.

Los Angeles - Toronto - Pretoria
North America Toll Free: 1-877-721-8908
Web: www.accuenergy.com
Email: marketing@accuenergy.com

Revision Date: April 2026 Version: 1.0.4
Specs Subject To Change Without Notice.



ISO 9001, 14001 & 45001 Certified



ISO 27001 & 50001 Certified

