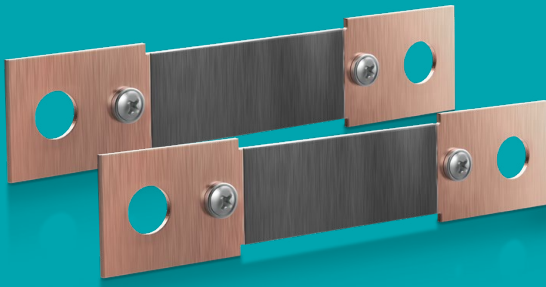


Shunt Series

Shunt-200A

DC Current Shunt Datasheet



Accuenergy DC current shunts are engineered for precision measurement in DC current systems. Designed to connect to a DC power meter to measure electrical currents based on a small voltage drop, DC current shunts provide accurate energy measurements in a variety of applications including renewable energy, mass transit, battery charging, electric vehicles, welding, heavy industrial environments, and OEM applications.

Features

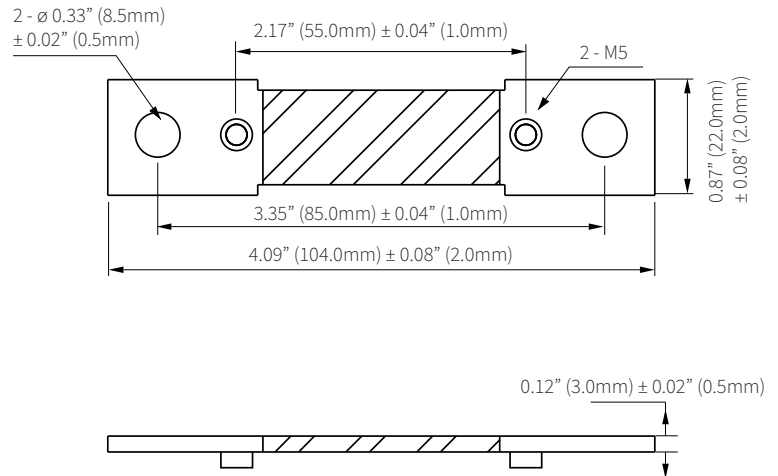
- Accuracy class: 0.1%
- 75mV voltage drop



Specifications

RATED CURRENT	
Current Range	10-120% of rated current
Accuracy	0.1%
Voltage Drop	75mV
MECHANICAL/ENVIRONMENTAL	
Form Factor	Inline installation
Exterior Dimensions	104.0mm x 22.0mm x 3.0mm 4.09" x 0.87" x 0.12"
Case Material	Manganin Alloy
Operating Temperature	-40°C to 80°C / -40°F to 176°F
Shunt Temperature w/ Load Current	<80% of rated current = 80°C (176°F), >120% = of rated current = 120°C (248°F)
Storage Temperature	-55°C to 85°C / -67°F to 185°F
Operating Humidity	Non-condensing, 0 to 95% RH
Installation Conditions	Indoor Use
ELECTRICAL	
Frequency Range	DC
SAFETY/COMPLIANCE	
Overload	120% of nominal current (2 hours)
Certifications	RoHS

Dimensions



Accuenergy Inc.

Los Angeles - Toronto - Pretoria
 North America Toll Free: 1-877-721-8908
 Web: www.accuenergy.com
 Email: marketing@accuenergy.com

Revision Date: August 2024 Version: 1.0.3
 Specs Subject To Change Without Notice.

Ordering Information

Ordering Number	Shunt	Rated Input	Voltage Drop
Ordering Example	Shunt	200A	75mV
		200A	75mV