

# AcuSplitCT Series 125R

## Split Core Current Transformers

The Accuenergy split core CTs are compact and low- cost current transformers with high accuracy. The CTs are ideal for quick and easy installation without disconnecting cables during installation. Multiple installation mechanisms provide stable and durable current measurement.

### FEATURES

- Multiple output including 1A, 80mA, 100mA, 200mA, 333mV
- Simple hinged installation
- Can be installed on cable, bus and panel
- Standard Window size from 0.75 to 5 by 7 inch
- Listed to UL2808, 61010-1 and CSA 22.2

### SPECIFICATIONS

Rated Primary Current	Up to 400A
Rated Output	1A, 80mA, 100mA, 200mA, 333mV
Withstand Voltage	5,000Vac
Operating Amb. Temperature	-15°C to 65°C
Accuracy	IEC 60044-1 0.5s class
Lead	8 ft(2.5m) UL 1015 22AWG
Construction	UL enclosure rated to 135°C
Certifications	UL listed UL2808, 61010-1 and CSA 22.2

### ORDERING INFORMATION

	Rated Input	Rated Output
Ordering Number	AcuCT-125R -	-
Ordering Example	<b>AcuCT-125R - 200</b>	<b>- 333mV</b>
	100: 100A	1A
	200: 200A	333mV
	300: 300A	80mA
	400: 400A	100mA
		200mA

Note: For any other size and ratio, please contact Accuenergy Corp.

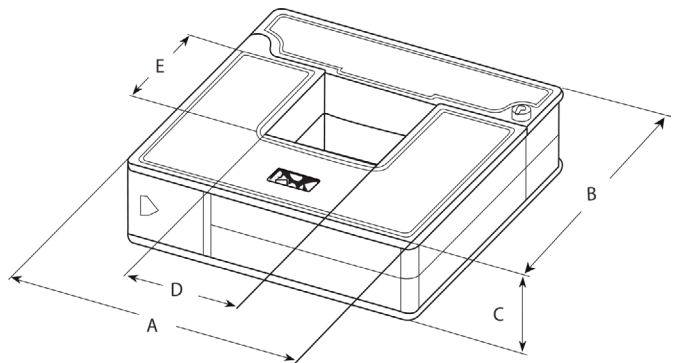


### Accuenergy Corp.

Los Angeles - Toronto - Beijing - Pretoria  
 North America Toll Free: 1-877-721-8908  
 Web: [www.accuenergy.com](http://www.accuenergy.com)  
 Email: [marketing@accuenergy.com](mailto:marketing@accuenergy.com)



### DIMENSIONS



### SIZE CHART

Dimensions (inch/mm)				
A	B	C	D	E
3.2/82.0	3.2/82.0	0.9/22.0	1.25/32.0	1.25/32.0

