

AcuCT mV Series

AcuCT-075

333mV Split-Core Current Transformer
Datasheet



Ideal for gathering high-precision measurements in commercial or industrial electrical panels or switchgear, the AcuCT mV Series is a revenue grade current transformer with a safe, 333mV output. The AcuCT mV is compatible with a range of meters or other instrumentation, and the pull-apart, split-core design helps facilitate fast installation without cable or wire disconnection.

Features

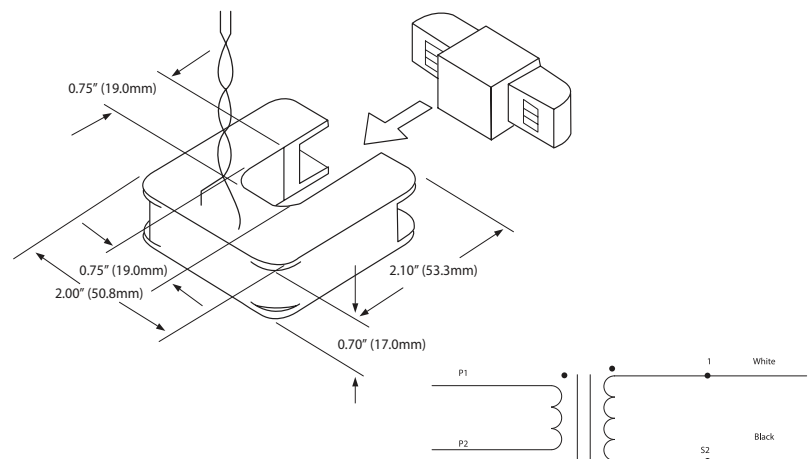
- Revenue Grade Accuracy: 1%
- Safe, 333mV output
- Split-Core design for quick installation
- UL Recognized



Specifications

RATED CURRENT	
Current Range	50A, 100A, 150A, 200A
Output	5% - 120% of Rated Current
Accuracy	333mV
	1%
MECHANICAL/ENVIRONMENTAL	
Form Factor	Split-Core CT
Window Size	19.0mm x 19.0mm (0.75" x 0.75")
Exterior Dimensions	50.8mm x 53.3mm x 17.0mm 2.00" x 2.10" x 0.70"
Case Material	Epoxy Encapsulated Housing, UL 94V-0
Lead Wires	2.5m (8ft) Twisted Pair, 22AWG
Operating Temperature	-20°C to 55°C / -4°F to 131°F
Operating Humidity	Non-Condensing, 0 to 95% RH
Installation Conditions	Indoor Use
ELECTRICAL	
Wire Polarity	White=Positive, Black=Negative
Phase Orientation	Arrow Points Towards Load
Frequency Range	50/60Hz
SAFETY/COMPLIANCE	
Withstand Voltage	3.0KV / 1mA / 1min
Insulation Voltage	600VAC , CAT III
Rated Voltage	600VAC
Certifications	CE, RoHS, cURus (E359521)

Dimensions



Typical Parameter

MODEL	CURRENT RATIO	ACCURACY CLASS	LEAD LENGTH
AcuCT-075-50: 333mV	50/333mV	1.00%	2.5m
AcuCT-075-100: 333mV	100/333mV	1.00%	2.5m
AcuCT-075-150: 333mV	150/333mV	1.00%	2.5m
AcuCT-075-200: 333mV	200/333mV	1.00%	2.5m

Ordering Information

<i>Model</i>	-	<i>Rated Input</i>	:	<i>Rated Output</i>
AcuCT-075		50: 50A		333mV
		100: 100A		
		150: 150A		
		200: 200A		

Ordering Example **AcuCT-075** - **100** : **333mV**



Accuenergy Inc.

Los Angeles - Toronto - Pretoria
 North America Toll Free: 1-877-721-8908
 Web: www.accuenergy.com
 Email: marketing@accuenergy.com

Revision Date: April 2026 Version: 1.1.6
 Specs Subject To Change Without Notice.