

AcuCT R Series

AcuCT-075R

Revenue Grade Split-Core
Current Transformer Datasheet



The AcuCT R Series CTs are premium, revenue grade split-core current transformers with a selection output options and class-leading accuracy. UL2808 Listed for guaranteed safety and quality, the AcuCT R Series combines a compact, durable form factor with a sturdy latch for added assurance in challenging applications. Installation is straightforward thanks to the user-friendly, press-open design.

Features

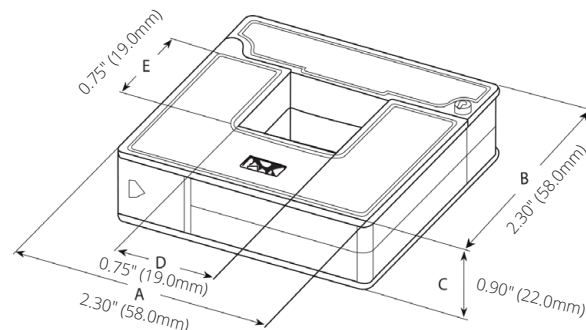
- Revenue grade accuracy: 0.5%
- Choose from multiple secondary output options including 80mA and 333mV
- The press-open design helps to speed and simplify installation
- Includes accessories for several mounting options
- UL Listed for XOBA UL2808 standard, CSA C22.2 No. 61010-1



Specifications

RATED CURRENT	
Current Range	50A, 75A, 100A, 150A
Output	5%-120% of Rated Current
Accuracy	80mA, 100mA, 200mA, 333mV
	0.5%
MECHANICAL/ENVIRONMENTAL	
Form Factor	Press Open Split-Core CT
Window Size	19.0mm x 19.0mm (0.75" x 0.75")
Exterior Dimensions	58.0mm x 58.0mm x 22.0mm 2.30" x 2.30" x 0.90"
Case Material	UL Enclosure Rated to 135°C (275°F)
Lead Wires	2.5m (8ft) UL 1015 18AWG
Operating Temperature	-25°C to 70°C / -13°F to 158°F
Operating Humidity	Non-Condensing, 0 to 95% RH
Installation Conditions	Indoor Use
ELECTRICAL	
Wire Polarity	White=Positive, Black=Negative
Phase Orientation	Arrow Points Towards Load
Frequency Range	50/60Hz
Output Resistance (Voltage Output) @80mA, 100mA, 200mA	80mA, 100mA: 10Ω 200mA: 10 Ω@100A,150A
SAFETY/COMPLIANCE	
Withstand Voltage	5.0KV / 1mA / 1min
Rated Voltage	600VAC, Rated CAT III
Certifications	CE, RoHS, UL Listed UL2808 (E469633) IEC 61010-1 and CSA 22.2

Dimensions



Typical Parameter

MODEL	CURRENT RATIO	ACCURACY CLASS	BURDEN / RESISTANCE	LEAD LENGTH
AcuCT-075R-50: 80mA	50/80mA	1.00%	10Ω	2.5m
AcuCT-075R-75: 80mA	75/80mA	1.00%	10Ω	2.5m
AcuCT-075R-100: 80mA	100/80mA	1.00%	10Ω	2.5m
AcuCT-075R-150: 80mA	150/80mA	1.00%	10Ω	2.5m
AcuCT-075R-50: 100mA	50/100mA	1.00%	10Ω	2.5m
AcuCT-075R-75: 100mA	75/100mA	1.00%	10Ω	2.5m
AcuCT-075R-100: 100mA	100/100mA	1.00%	10Ω	2.5m
AcuCT-075R-150: 100mA	150/100mA	1.00%	10Ω	2.5m
AcuCT-075R-100: 200mA	100/200mA	1.00%	10Ω	2.5m
AcuCT-075R-150: 200mA	150/200mA	1.00%	10Ω	2.5m
AcuCT-075R-50: 333mV	50/333mV	1.00%		2.5m
AcuCT-075R-75: 333mV	75/333mV	1.00%		2.5m
AcuCT-075R-100: 333mV	100/333mV	0.50%		2.5m
AcuCT-075R-150: 333mV	150/333mV	0.50%		2.5m



Accuenergy Inc.

Los Angeles - Toronto - Pretoria

North America Toll Free: 1-877-721-8908

Web: www.accuenergy.com

Email: marketing@accuenergy.com

Revision Date: April 2026 Version: 1.0.6
Specs Subject To Change Without Notice.

Ordering Information

Model	-	Rated Input	:	Rated Output
AcuCT-075R		50: 50A		333 mV
		75: 75A		80mA
		100: 100A		100mA
		150: 150A		200mA
Ordering Example		AcuCT-075R		- 50 : 333mV