

AcuCT R Series

AcuCT-100R

Revenue Grade Split-Core
Current Transformer Datasheet



The AcuCT R Series CTs are premium, revenue grade split-core current transformers with a selection output options and class-leading accuracy. UL2808 Listed for guaranteed safety and quality, the AcuCT R Series combines a compact, durable form factor with a sturdy latch for added assurance in challenging applications. Installation is straightforward thanks to the user-friendly, press-open design.

Features

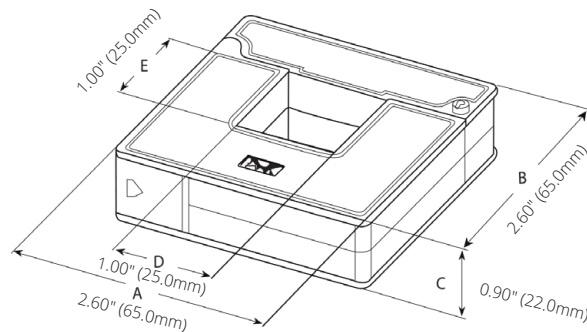
- Revenue grade accuracy: 0.5%
- Choose from multiple voltage or current secondary output options including 80mA and 333mV
- The press-open design helps to speed and simplify installation
- Includes accessories for several mounting options
- UL Listed for XOBA UL2808 standard, CSA C22.2 No. 61010-1



Specifications

RATED CURRENT	100A, 150A, 200A, 250A
Current Range	5%–120% of Rated Current
Output	80mA, 100mA, 200mA, 333mV
Accuracy	0.5%
MECHANICAL/ENVIRONMENTAL	
Form Factor	Press Open Split-Core CT
Window Size	25.0mm x 25.0mm (1.00" x 1.00")
Exterior Dimensions	65.0mm x 65.0mm x 22.0mm 2.60" x 2.60" x 0.90"
Case Material	UL Enclosure Rated to 135°C (275°F)
Lead Wires	2.5m (8ft) UL 1015 18AWG
Operating Temperature	-25°C to 70°C / -13°F to 158°F
Operating Humidity	Non-Condensing, 0 to 95% RH
Installation Conditions	Indoor Use
ELECTRICAL	
Wire Polarity	White=Positive, Black=Negative
Phase Orientation	Arrow Points Towards Load
Frequency Range	50/60Hz
Output Resistance (Voltage Output) @ 80mA, 100mA, 200mA	10Ω
SAFETY/COMPLIANCE	
Withstand Voltage	5.0KV / 1mA / 1min
Rated Voltage	600VAC, Rated CAT III
Certifications	CE, RoHS, UL Listed UL2808 (E469633) IEC 61010-1 and CSA 22.2

Dimensions



Typical Parameter

MODEL	CURRENT RATIO	ACCURACY CLASS	BURDEN / RESISTANCE	LEAD LENGTH
AcuCT-100R-100: 80mA	100/80mA	1.00%	10Ω	2.5m
AcuCT-100R-150: 80mA	150/80mA	1.00%	10Ω	2.5m
AcuCT-100R-200: 80mA	200/80mA	1.00%	10Ω	2.5m
AcuCT-100R-250: 80mA	250/80mA	0.50%	10Ω	2.5m
AcuCT-100R-100: 100mA	100/100mA	1.00%	10Ω	2.5m
AcuCT-100R-150: 100mA	150/100mA	1.00%	10Ω	2.5m
AcuCT-100R-200: 100mA	200/100mA	1.00%	10Ω	2.5m
AcuCT-100R-250: 100mA	250/100mA	0.50%	10Ω	2.5m
AcuCT-100R-100: 200mA	100/200mA	1.00%	10Ω	2.5m
AcuCT-100R-150: 200mA	150/200mA	1.00%	10Ω	2.5m
AcuCT-100R-200: 200mA	200/200mA	1.00%	10Ω	2.5m
AcuCT-100R-250: 200mA	250/200mA	1.00%	10Ω	2.5m
AcuCT-100R-100: 333mV	100/333mV	0.50%		2.5m
AcuCT-100R-150: 333mV	150/333mV	0.50%		2.5m
AcuCT-100R-200: 333mV	200/333mV	0.50%		2.5m
AcuCT-100R-250: 333mV	250/333mV	0.50%		2.5m



Accuenergy Inc.

Los Angeles - Toronto - Pretoria

North America Toll Free: 1-877-721-8908

Web: www.accuenergy.com

Email: marketing@accuenergy.com

Revision Date: April 2026 Version: 1.0.6
Specs Subject To Change Without Notice.

Ordering Information

Model	-	Rated Input	:	Rated Output
AcuCT-100R		100: 100A		333mV
		150: 150A		80mA
		200: 200A		100mA
		250: 250A		200mA
Ordering Example		AcuCT-100R		- 100 : 333mV