

# AcuCT R Series

## AcuCT-125R

Revenue Grade Split-Core Current Transformer Datasheet



The AcuCT R Series CTs are premium, revenue grade split-core current transformers with a selection output options and class-leading accuracy. UL2808 Listed for guaranteed safety and quality, the AcuCT R Series combines a compact, durable form factor with a sturdy latch for added assurance in challenging applications. Installation is straightforward thanks to the user-friendly, press-open design.

### Features

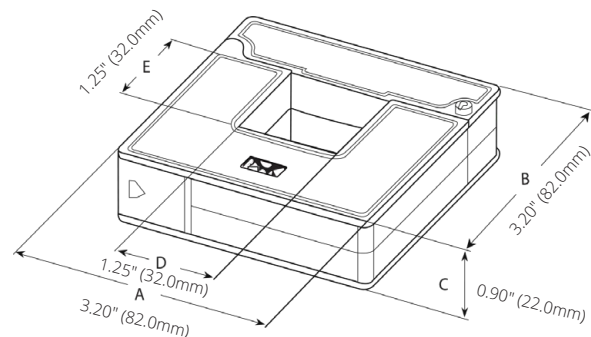
- Revenue grade accuracy: 0.5% (from 5% - 120% of rated current)
- Choose from multiple voltage or current secondary output options including 1A and 333mV
- The press-open design helps to speed and simplify installation
- Includes accessories for several mounting options



### Specifications

<b>RATED CURRENT</b>	
Rated Current	100A, 150A, 200A, 250A, 300A, 400A
Current Range	5% -120% of Rated Current
Output	1A, 80mA, 100mA, 200mA, 333mV
Accuracy	0.5%
<b>MECHANICAL/ENVIRONMENTAL</b>	
Form Factor	Press Open Split-Core CT
Window Size	32.0mm x 32.0mm (1.25" x 1.25")
Exterior Dimensions	82.0mm x 82.0mm x 22.0mm 3.20" x 3.20" x 0.90"
Case Material	UL Enclosure Rated to 135°C (275°F)
Lead Wires	2.5m (8ft) UL 1015 18AWG
Operating Temperature	-25°C to 70°C / -13°F to 158°F
Operating Humidity	Non-Condensing, 0 to 95% RH
Installation Conditions	Indoor Use
<b>ELECTRICAL</b>	
Wire Polarity	White=Positive, Black=Negative
Phase Orientation	Arrow Points Towards Load
Frequency Range	50/60Hz
Output Resistance (Voltage Output) @ 80mA, 100mA, 200mA, burden@1A	80mA, 100mA, 200mA (150A-400A): 10Ω / 1A: 1.25VA (150A-400A)
<b>SAFETY/COMPLIANCE</b>	
Withstand Voltage	5.0KV / 1mA / 1min
Rated Voltage	600VAC, Rated CAT III
Certifications	CE, RoHS, UL Listed UL2808 (E469633) IEC 61010-1 and CSA 22.2

### Dimensions



## Typical Parameter

MODEL	CURRENT RATIO	ACCURACY CLASS	BURDEN / RESISTANCE	LEAD LENGTH
AcuCT-125R-100: 80mA	100/80mA	1.00%	10Ω	2.5m
AcuCT-125R-150: 80mA	150/80mA	1.00%	10Ω	2.5m
AcuCT-125R-200: 80mA	200/80mA	0.50%	10Ω	2.5m
AcuCT-125R-250: 80mA	250/80mA	0.50%	10Ω	2.5m
AcuCT-125R-300: 80mA	300/80mA	0.50%	10Ω	2.5m
AcuCT-125R-400: 80mA	400/80mA	0.50%	10Ω	2.5m
AcuCT-125R-100: 100mA	100/100mA	1.00%	10Ω	2.5m
AcuCT-125R-150: 100mA	150/100mA	0.50%	10Ω	2.5m
AcuCT-125R-200: 100mA	200/100mA	0.50%	10Ω	2.5m
AcuCT-125R-250: 100mA	250/100mA	0.50%	10Ω	2.5m
AcuCT-125R-300: 100mA	300/100mA	0.50%	10Ω	2.5m
AcuCT-125R-400: 100mA	400/100mA	0.50%	10Ω	2.5m
AcuCT-125R-150: 200mA	150/200mA	1.00%	10Ω	2.5m
AcuCT-125R-200: 200mA	200/200mA	1.00%	10Ω	2.5m
AcuCT-125R-250: 200mA	250/200mA	1.00%	10Ω	2.5m
AcuCT-125R-300: 200mA	300/200mA	0.50%	10Ω	2.5m
AcuCT-125R-400: 200mA	400/200mA	0.50%	10Ω	2.5m
AcuCT-125R-100: 333mV	100/333mV	0.50%		2.5m
AcuCT-125R-150: 333mV	150/333mV	0.50%		2.5m
AcuCT-125R-200: 333mV	200/333mV	0.50%		2.5m
AcuCT-125R-250: 333mV	250/333mV	0.50%		2.5m
AcuCT-125R-300: 333mV	300/333mV	0.50%		2.5m
AcuCT-125R-400: 333mV	400/333mV	0.50%		2.5m
AcuCT-125R-150: 1A	150/1A	1.00%	1.25VA	2.5m
AcuCT-125R-200: 1A	200/1A	1.00%	1.25VA	2.5m
AcuCT-125R-250: 1A	250/1A	1.00%	1.25VA	2.5m
AcuCT-125R-300: 1A	300/1A	0.50%	1.25VA	2.5m
AcuCT-125R-400: 1A	400/1A	0.50%	1.25VA	2.5m

## Ordering Information

Model	-	Rated Input	:	Rated Output
AcuCT-125R		100:100A		333mV
		150: 150A		80mA
		200: 200A		100mA
		250: 250A		200mA
		300: 300A		1A
		400: 400A		

**Ordering Example**    AcuCT-125R    -    200    :    333mV



### Accuenergy Inc.

Los Angeles - Toronto - Pretoria

North America Toll Free: 1-877-721-8908

Web: [www.accuenergy.com](http://www.accuenergy.com)

Email: [marketing@accuenergy.com](mailto:marketing@accuenergy.com)

Revision Date: March 2026 Version: 1.0.5  
Specs Subject To Change Without Notice.