

AcuCT mV Series

AcuCT-200

333mV Split-Core Current Transformer
Datasheet



Ideal for gathering high-precision measurements in commercial or industrial electrical panels or switchgear, the AcuCT mV Series is a revenue grade current transformer with a safe, 333mV output. The AcuCT mV is compatible with a range of meters or other instrumentation and the pull-apart, split-core design helps facilitate fast installation without cable or wire disconnection.

Features

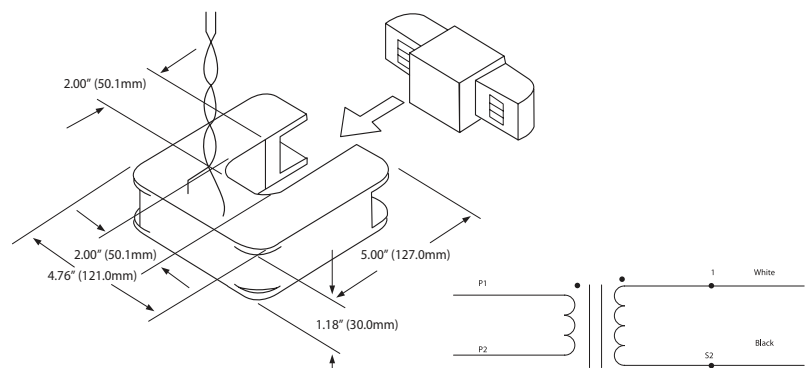
- Revenue grade accuracy: 1%
- Safe, 333mV output
- Split-Core design for quick installation
- UL Recognized



Specifications

RATED CURRENT	200A, 250A, 300A, 400A, 500A, 600A, 800A, 1000A, 1200A, 1500A
Current Range	5% - 120% of Rated Current
Output	333mV
Accuracy	1%
MECHANICAL/ENVIRONMENTAL	
Form Factor	Split-Core CT
Window Size	50.1mm x 50.1mm (2.00" x 2.00")
Exterior Dimensions	121.0mm x 127.0mm x 30.0mm 4.76" x 5.00" x 1.18"
Case Material	Epoxy Encapsulated Housing, UL 94V-0
Lead Wires	2.5m (8ft) Twisted Pair, 22AWG
Operating Temperature	-20°C to 55°C / -4°F to 131°F
Operating Humidity	Non-Condensing, 0 to 95% RH
Installation Conditions	Indoor Use
ELECTRICAL	
Wire Polarity	White=Positive, Black=Negative
Phase Orientation	Arrow Points Towards Load
Frequency Range	50/60Hz
SAFETY/COMPLIANCE	
Withstand Voltage	3.0KV / 1mA / 1min
Insulation Voltage	600VAC, CAT III
Rated Voltage	600VAC
Certifications	CE, RoHS, cURus (E359521)

Dimensions



Typical Parameter

MODEL	CURRENT RATIO	ACCURACY CLASS	LEAD LENGTH
AcuCT-200-200: 333mV	200/333mV	1.00%	2.5m
AcuCT-200-250: 333mV	250/333mV	1.00%	2.5m
AcuCT-200-300: 333mV	300/333mV	1.00%	2.5m
AcuCT-200-400: 333mV	400/333mV	1.00%	2.5m
AcuCT-200-500: 333mV	500/333mV	1.00%	2.5m
AcuCT-200-600: 333mV	600/333mV	1.00%	2.5m
AcuCT-200-800: 333mV	800/333mV	1.00%	2.5m
AcuCT-200-1000: 333mV	1000/333mV	1.00%	2.5m
AcuCT-200-1200: 333mV	1200/333mV	1.00%	2.5m
AcuCT-200-1500: 333mV	1500/333mV	1.00%	2.5m

Ordering Information

<i>Model</i>	-	<i>Rated Input</i>	:	<i>Rated Output</i>
AcuCT-200		200: 200A		333mV
		250: 250A		
		300: 300A		
		400: 400A		
		500: 500A		
		600: 600A		
		800: 800A		
		1000: 1000A		
		1200: 1200A		
		1500: 1500A		

Ordering Example AcuCT-200 - 800 : 333mV



Accuenergy Inc.

Los Angeles - Toronto - Pretoria
 North America Toll Free: 1-877-721-8908
 Web: www.accuenergy.com
 Email: marketing@accuenergy.com

Revision Date: April 2026 Version: 1.0.6
 Specs Subject To Change Without Notice.