

# AcuCT R Series

## AcuCT-200R

Revenue Grade Split-Core  
Current Transformer Datasheet



The AcuCT R Series CTs are premium, revenue grade split-core current transformers with a selection output options and class-leading accuracy. UL2808 Listed for guaranteed safety and quality, the AcuCT R Series combines a compact, durable form factor with a sturdy latch for added assurance in challenging applications. Installation is straightforward thanks to the user-friendly, press-open design.

### Features

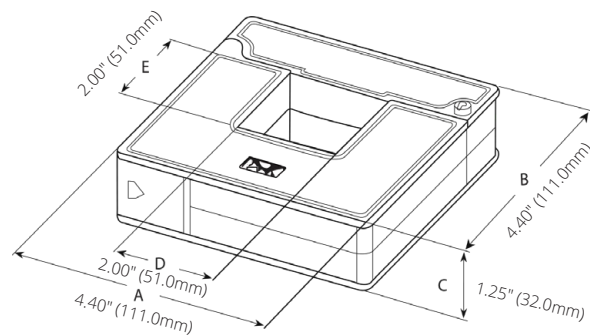
- Revenue grade accuracy: IEC 61869-2 Class 0.5 (from 5% - 120% of rated current)
- Choose from multiple secondary output options including 1A and 333mV
- The press-open design helps to speed and simplify installation
- Includes accessories for several mounting options



### Specifications

| <b>RATED CURRENT</b>   |  |
|--|--|
| Current Range  | 400A, 500A, 600A, 800A, 1000A  |
| Current Range  | 5%–120% of Rated Current   |
| Output   | 1A, 80mA, 100mA, 200mA, 333mV  |
| Accuracy   | IEC 61869-2 Class 0.5  |
| <b>MECHANICAL/ENVIRONMENTAL</b>  |  |
| Form Factor  | Press Open Split-Core CT   |
| Window Size  | 51.0mm x 51.0mm (2.00" x 2.00")  |
| Exterior Dimensions  | 111.0mm x 111.0mm x 32.0mm<br>4.40" x 4.40" x 1.25"                          |
| Case Material  | UL Enclosure Rated to 135°C (275°F)  |
| Lead Wires   | 2.5m (8ft) UL 1015 18AWG   |
| Operating Temperature  | -25°C to 70°C / -13°F to 158°F   |
| Operating Humidity   | Non-Condensing, 0 to 95% RH  |
| Installation Conditions  | Indoor Use   |
| <b>ELECTRICAL</b>  |  |
| Wire Polarity  | White=Positive, Black=Negative   |
| Phase Orientation  | Arrow Points Towards Load  |
| Frequency Range  | 50/60Hz  |
| Output Resistance<br>(Voltage Output) @ 80mA,<br>100mA, 200mA, burden@1A | 80mA, 100mA, 200mA: 10Ω / 1A: 1.25VA   |
| <b>SAFETY/COMPLIANCE</b>   |  |
| Withstand Voltage  | 5.0KV / 1mA / 1min   |
| Rated Voltage  | 600VAC, Rated CAT III  |
| Certifications   | CE, RoHS, UL Listed UL2808 (E469633)<br>IEC 61010-1 and CSA 22.2 IEC 61869-2 |

### Dimensions



## Typical Parameter

| MODEL                  | CURRENT RATIO | ACCURACY CLASS        | BURDEN / RESISTANCE | LEAD LENGTH |
|------------------------|---------------|-----------------------|---------------------|-------------|
| AcuCT-200R-400: 80mA   | 400/80mA      | 0.50%                 | 10Ω                 | 2.5m        |
| AcuCT-200R-500: 80mA   | 500/80mA      | 0.50%                 | 10Ω                 | 2.5m        |
| AcuCT-200R-600: 80mA   | 600/80mA      | IEC 61869-2 Class 0.5 | 10Ω                 | 2.5m        |
| AcuCT-200R-800: 80mA   | 800/80mA      | IEC 61869-2 Class 0.5 | 10Ω                 | 2.5m        |
| AcuCT-200R-1000: 80mA  | 1000/80mA     | IEC 61869-2 Class 0.5 | 10Ω                 | 2.5m        |
| AcuCT-200R-400: 100mA  | 400/100mA     | 0.50%                 | 10Ω                 | 2.5m        |
| AcuCT-200R-500: 100mA  | 500/100mA     | 0.50%                 | 10Ω                 | 2.5m        |
| AcuCT-200R-600: 100mA  | 600/100mA     | IEC 61869-2 Class 0.5 | 10Ω                 | 2.5m        |
| AcuCT-200R-800: 100mA  | 800/100mA     | IEC 61869-2 Class 0.5 | 10Ω                 | 2.5m        |
| AcuCT-200R-1000: 100mA | 1000/100mA    | IEC 61869-2 Class 0.5 | 10Ω                 | 2.5m        |
| AcuCT-200R-400: 200mA  | 400/200mA     | 0.50%                 | 10Ω                 | 2.5m        |
| AcuCT-200R-500: 200mA  | 500/200mA     | 0.50%                 | 10Ω                 | 2.5m        |
| AcuCT-200R-600: 200mA  | 600/200mA     | IEC 61869-2 Class 0.5 | 10Ω                 | 2.5m        |
| AcuCT-200R-800: 200mA  | 800/200mA     | IEC 61869-2 Class 0.5 | 10Ω                 | 2.5m        |
| AcuCT-200R-1000: 200mA | 1000/200mA    | IEC 61869-2 Class 0.5 | 10Ω                 | 2.5m        |
| AcuCT-200R-400: 333mV  | 400/333mV     | 0.50%                 |                     | 2.5m        |
| AcuCT-200R-500: 333mV  | 500/333mV     | 0.50%                 |                     | 2.5m        |
| AcuCT-200R-600: 333mV  | 600/333mV     | IEC 61869-2 Class 0.5 |                     | 2.5m        |
| AcuCT-200R-800: 333mV  | 800/333mV     | IEC 61869-2 Class 0.5 |                     | 2.5m        |
| AcuCT-200R-1000: 333mV | 1000/333mV    | IEC 61869-2 Class 0.5 |                     | 2.5m        |
| AcuCT-200R-400: 1A     | 400/1A        | 0.50%                 | 1.25VA              | 2.5m        |
| AcuCT-200R-500: 1A     | 500/1A        | 0.50%                 | 1.25VA              | 2.5m        |
| AcuCT-200R-600: 1A     | 600/1A        | 0.50%                 | 1.25VA              | 2.5m        |
| AcuCT-200R-800: 1A     | 800/1A        | IEC 61869-2 Class 0.5 | 1.25VA              | 2.5m        |
| AcuCT-200R-1000: 1A    | 1000/1A       | IEC 61869-2 Class 0.5 | 1.25VA              | 2.5m        |

## Ordering Information

| Model                   | -                 | Rated Input  | :        | Rated Output |
|-------------------------|-------------------|--------------|----------|--------------|
| AcuCT-200R              |                   | 400: 400A    |          | 1A           |
|                         |                   | 500: 500A    |          | 333mV        |
|                         |                   | 600: 600A    |          | 80mA         |
|                         |                   | 800: 800A    |          | 100mA        |
|                         |                   | 1000: 1000A  |          | 200mA        |
| <b>Ordering Example</b> | <b>AcuCT-200R</b> | <b>- 400</b> | <b>:</b> | <b>333mV</b> |



### Accuenergy Inc.

Los Angeles - Toronto - Pretoria

North America Toll Free: 1-877-721-8908

Web: [www.accuenergy.com](http://www.accuenergy.com)

Email: [marketing@accuenergy.com](mailto:marketing@accuenergy.com)

Revision Date: March 2026 Version: 1.0.5

Specs Subject To Change Without Notice.