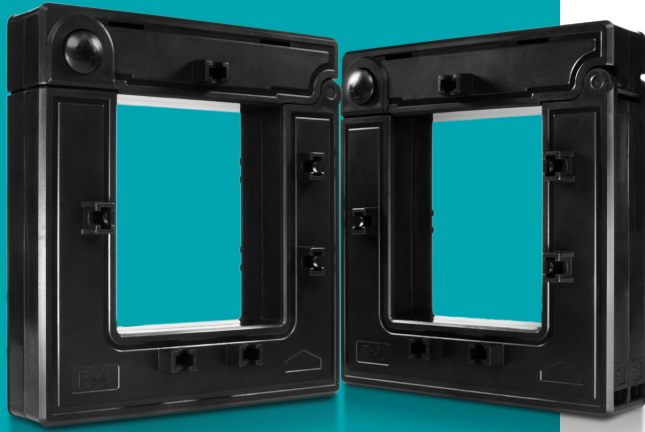


AcuCT R Series

AcuCT-3135R

Revenue Grade Split-Core
Current Transformer Datasheet



The AcuCT R Series CTs are premium, revenue grade split-core current transformers with a selection output options and class-leading accuracy. UL2808 Listed for guaranteed safety and quality, the AcuCT R Series combines a compact, durable form factor with a sturdy latch for added assurance in challenging applications. Installation is straightforward thanks to the user-friendly, press-open design.

Features

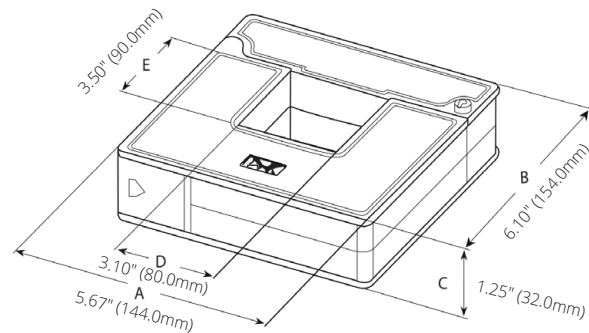
- Revenue grade accuracy: IEC 61869-2 Class 0.5 (from 5% - 120% of rated current)
- Choose from multiple voltage or current secondary output options including 5A and 333mV
- The press-open design helps to speed and simplify installation



Specifications

RATED CURRENT	
Current Range	5% - 120% of Rated Current
Output	5A, 1A, 80mA, 100mA, 200mA, 333mV
Accuracy	IEC 61869-2 Class 0.5
MECHANICAL/ENVIRONMENTAL	
Form Factor	Press Open Split-Core CT
Window Size	80.0mm x 90.0mm (3.10" x 3.50")
Exterior Dimensions	144.0mm x 154.0mm x 32.0mm 7.00" x 6.10" x 1.25"
Case Material	UL Enclosure Rated to 135°C (275°F)
Lead Wires	2.5m (8ft) UL 1015 18AWG
Operating Temperature	-25°C to 70°C / -13°F to 158°F
Operating Humidity	Non-Condensing, 0 to 95% RH
Installation Conditions	Indoor Use
ELECTRICAL	
Wire Polarity	White=Positive, Black=Negative
Phase Orientation	Arrow Points Towards Load
Frequency Range	50/60Hz
Output Resistance (Voltage Output) @80mA, 100mA, 200mA, burden@ 5A, 1A	80mA, 100mA, 200mA: 10Ω / 1A, 5A: 1.25VA
SAFETY/COMPLIANCE	
Withstand Voltage	5.0KV / 1mA / 1min
Rated Voltage	600VAC, Rated CAT III
Certifications	CE, RoHS, UL Listed UL2808 (E469633) IEC 61010-1 and CSA 22.2 IEC 61869-2

Dimensions



Typical Parameter

MODEL	CURRENT RATIO	ACCURACY CLASS	BURDEN / RESISTANCE	LEAD LENGTH
AcuCT-3135R-600: 80mA	600/80mA	IEC 61869-2 Class 0.5	10Ω	2.5m
AcuCT-3135R-800: 80mA	800/80mA	IEC 61869-2 Class 0.5	10Ω	2.5m
AcuCT-3135R-1000: 80mA	1000/80mA	IEC 61869-2 Class 0.5	10Ω	2.5m
AcuCT-3135R-1200: 80mA	1200/80mA	IEC 61869-2 Class 0.5	10Ω	2.5m
AcuCT-3135R-1500: 80mA	1500/80mA	IEC 61869-2 Class 0.5	10Ω	2.5m
AcuCT-3135R-600: 100mA	600/100mA	IEC 61869-2 Class 0.5	10Ω	2.5m
AcuCT-3135R-800: 100mA	800/100mA	IEC 61869-2 Class 0.5	10Ω	2.5m
AcuCT-3135R-1000: 100mA	1000/100mA	IEC 61869-2 Class 0.5	10Ω	2.5m
AcuCT-3135R-1200: 100mA	1200/100mA	IEC 61869-2 Class 0.5	10Ω	2.5m
AcuCT-3135R-1500: 100mA	1500/100mA	IEC 61869-2 Class 0.5	10Ω	2.5m
AcuCT-3135R-600: 200mA	600/200mA	IEC 61869-2 Class 0.5	10Ω	2.5m
AcuCT-3135R-800: 200mA	800/200mA	IEC 61869-2 Class 0.5	10Ω	2.5m
AcuCT-3135R-1000: 200mA	1000/200mA	IEC 61869-2 Class 0.5	10Ω	2.5m
AcuCT-3135R-1200: 200mA	1200/200mA	IEC 61869-2 Class 0.5	10Ω	2.5m
AcuCT-3135R-1500: 200mA	1500/200mA	IEC 61869-2 Class 0.5	10Ω	2.5m
AcuCT-3135R-600: 333mV	600/333mV	IEC 61869-2 Class 0.5		2.5m
AcuCT-3135R-800: 333mV	800/333mV	IEC 61869-2 Class 0.5		2.5m
AcuCT-3135R-1000: 333mV	1000/333mV	IEC 61869-2 Class 0.5		2.5m
AcuCT-3135R-1200: 333mV	1200/333mV	IEC 61869-2 Class 0.5		2.5m
AcuCT-3135R-1500: 333mV	1500/333mV	IEC 61869-2 Class 0.5		2.5m
AcuCT-3135R-600: 1A	600/1A	IEC 61869-2 Class 0.5	1.25VA	2.5m
AcuCT-3135R-800: 1A	800/1A	IEC 61869-2 Class 0.5	1.25VA	2.5m
AcuCT-3135R-1000: 1A	1000/1A	IEC 61869-2 Class 0.5	1.25VA	2.5m
AcuCT-3135R-1200: 1A	1200/1A	IEC 61869-2 Class 0.5	1.25VA	2.5m
AcuCT-3135R-1500: 1A	1500/1A	IEC 61869-2 Class 0.5	1.25VA	2.5m
AcuCT-3135R-600: 5A	600/5A	0.50%	1.25VA	2.5m
AcuCT-3135R-800: 5A	800/5A	IEC 61869-2 Class 0.5	1.25VA	2.5m
AcuCT-3135R-1000: 5A	1000/5A	IEC 61869-2 Class 0.5	1.25VA	2.5m
AcuCT-3135R-1200: 5A	1200/5A	IEC 61869-2 Class 0.5	1.25VA	2.5m
AcuCT-3135R-1500: 5A	1500/5A	IEC 61869-2 Class 0.5	1.25VA	2.5m

Ordering Information

Model	-	Rated Input	:	Rated Output
AcuCT-3135R		600: 600A		1A
		800: 800A		5A
		1000: 1000A		333mV
		1200: 1200A		80mA
		1500: 1500A		100mA
				200mA

Ordering Example AcuCT-3135R - 600 : 333mV



Accuenergy Inc.

Los Angeles - Toronto - Pretoria
 North America Toll Free: 1-877-721-8908
 Web: www.accuenergy.com
 Email: marketing@accuenergy.com

Revision Date: March 2026 Version: 1.0.5
 Specs Subject To Change Without Notice.