

AcuCT R Series

AcuCT-4161R

Revenue Grade Split-Core
Current Transformer Datasheet



The AcuCT R Series CTs are premium, revenue grade split-core current transformers with a selection of output options and class-leading accuracy. UL2808 Listed for guaranteed safety and quality, the AcuCT R Series combines a compact, durable form factor with a sturdy latch for added assurance in challenging applications. Installation is straightforward thanks to the user-friendly, press-open design.

Features

- Revenue grade accuracy: IEC 61869-2 Class 0.5 (from 5% - 120% of rated current)
- Choose from multiple voltage or current secondary output options including 5A and 333mV
- The press-open design helps to speed and simplify installation

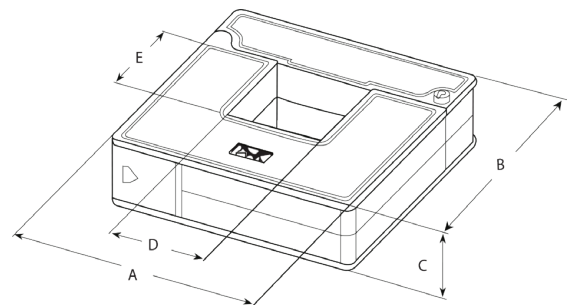


Specifications

RATED CURRENT	600A, 800A, 1000A, 1200A, 1600A, 2000A, 2500A, 3000A, 4000A, 5000A
Current Range	5%-120% of Rated Current
Output	5A, 1A, 80mA, 100mA, 200mA, 333mV
Accuracy	IEC 61869-2 Class 0.5
MECHANICAL/ENVIRONMENTAL	
Form Factor	Press Open Split-Core CT
Window Size	105.0mm x 155.0mm (4.10" x 6.10")
Exterior Dimensions	185.0mm x 235.0mm x 45.0mm 7.30" x 9.30" x 1.80"
Case Material	UL Enclosure Rated to 135°C (275°F)
Lead Wires	2.5m (8ft) UL 1015 18AWG
Operating Temperature	-25°C to 70°C / -13°F to 158°F
Operating Humidity	Non-Condensing, 0 to 95% RH
Installation Conditions	Indoor Use
ELECTRICAL	
Wire Polarity	White=Positive, Black=Negative
Phase Orientation	Arrow Points Towards Load
Frequency Range	50/60Hz
Output Resistance (Voltage Output)@80mA, 100mA, 200mA, Burden@ 5A, 1A	80mA, 100mA, 200mA: 10Ω / 1A,5A: 1.25VA
SAFETY/COMPLIANCE	
Withstand Voltage	5.0kV / 1mA / 1min
Rated Voltage	600VAC, Rated CAT III
Certifications & Compliance	CE, RoHS, UL Listed UL2808 (E469633), IEC 61010-1 and CSA 22.2, IEC 61869-2

Dimensions

A: 7.30" (185.0mm)
B: 9.30" (235.0mm)
C: 1.80" (45.0mm)
D: 4.10" (105.0mm)
E: 6.10" (155.0mm)



Typical Parameter

MODEL	CURRENT RATIO	ACCURACY CLASS	BURDEN / RESISTANCE	LEAD LENGTH
AcuCT-4161R-600: 80mA	600/80mA	IEC 61869-2 Class 0.5	10Ω	2.5m
AcuCT-4161R-800: 80mA	800/80mA	IEC 61869-2 Class 0.5	10Ω	2.5m
AcuCT-4161R-1000: 80mA	1000/80mA	IEC 61869-2 Class 0.5	10Ω	2.5m
AcuCT-4161R-1200: 80mA	1200/80mA	IEC 61869-2 Class 0.5	10Ω	2.5m
AcuCT-4161R-1600: 80mA	1600/80mA	IEC 61869-2 Class 0.5	10Ω	2.5m
AcuCT-4161R-2000: 80mA	2000/80mA	IEC 61869-2 Class 0.5	10Ω	2.5m
AcuCT-4161R-2500: 80mA	2500/80mA	IEC 61869-2 Class 0.5	10Ω	2.5m
AcuCT-4161R-3000: 80mA	3000/80mA	IEC 61869-2 Class 0.5	10Ω	2.5m
AcuCT-4161R-4000: 80mA	4000/80mA	IEC 61869-2 Class 0.5	10Ω	2.5m
AcuCT-4161R-5000: 80mA	5000/80mA	IEC 61869-2 Class 0.5	10Ω	2.5m
AcuCT-4161R-600: 100mA	600/100mA	IEC 61869-2 Class 0.5	10Ω	2.5m
AcuCT-4161R-800: 100mA	800/100mA	IEC 61869-2 Class 0.5	10Ω	2.5m
AcuCT-4161R-1000: 100mA	1000/100mA	IEC 61869-2 Class 0.5	10Ω	2.5m
AcuCT-4161R-1200: 100mA	1200/100mA	IEC 61869-2 Class 0.5	10Ω	2.5m
AcuCT-4161R-1600: 100mA	1600/100mA	IEC 61869-2 Class 0.5	10Ω	2.5m
AcuCT-4161R-2000: 100mA	2000/100mA	IEC 61869-2 Class 0.5	10Ω	2.5m
AcuCT-4161R-2500: 100mA	2500/100mA	IEC 61869-2 Class 0.5	10Ω	2.5m
AcuCT-4161R-3000: 100mA	3000/100mA	IEC 61869-2 Class 0.5	10Ω	2.5m
AcuCT-4161R-4000: 100mA	4000/100mA	IEC 61869-2 Class 0.5	10Ω	2.5m
AcuCT-4161R-5000: 100mA	5000/100mA	IEC 61869-2 Class 0.5	10Ω	2.5m
AcuCT-4161R-600: 200mA	600/200mA	IEC 61869-2 Class 0.5	10Ω	2.5m
AcuCT-4161R-800: 200mA	800/200mA	IEC 61869-2 Class 0.5	10Ω	2.5m
AcuCT-4161R-1000: 200mA	1000/200mA	IEC 61869-2 Class 0.5	10Ω	2.5m
AcuCT-4161R-1200: 200mA	1200/200mA	IEC 61869-2 Class 0.5	10Ω	2.5m
AcuCT-4161R-1600: 200mA	1600/200mA	IEC 61869-2 Class 0.5	10Ω	2.5m
AcuCT-4161R-2000: 200mA	2000/200mA	IEC 61869-2 Class 0.5	10Ω	2.5m
AcuCT-4161R-2500: 200mA	2500/200mA	IEC 61869-2 Class 0.5	10Ω	2.5m
AcuCT-4161R-3000: 200mA	3000/200mA	IEC 61869-2 Class 0.5	10Ω	2.5m
AcuCT-4161R-4000: 200mA	4000/200mA	IEC 61869-2 Class 0.5	10Ω	2.5m
AcuCT-4161R-5000: 200mA	5000/200mA	IEC 61869-2 Class 0.5	10Ω	2.5m
AcuCT-4161R-600: 333mV	600/333mV	IEC 61869-2 Class 0.5		2.5m
AcuCT-4161R-800: 333mV	800/333mV	IEC 61869-2 Class 0.5		2.5m
AcuCT-4161R-1000: 333mV	1000/333mV	IEC 61869-2 Class 0.5		2.5m
AcuCT-4161R-1200: 333mV	1200/333mV	IEC 61869-2 Class 0.5		2.5m
AcuCT-4161R-1600: 333mV	1600/333mV	IEC 61869-2 Class 0.5		2.5m
AcuCT-4161R-2000: 333mV	2000/333mV	IEC 61869-2 Class 0.5		2.5m
AcuCT-4161R-2500: 333mV	2500/333mV	IEC 61869-2 Class 0.5		2.5m
AcuCT-4161R-3000: 333mV	3000/333mV	IEC 61869-2 Class 0.5		2.5m
AcuCT-4161R-4000: 333mV	4000/333mV	IEC 61869-2 Class 0.5		2.5m
AcuCT-4161R-5000: 333mV	5000/333mV	IEC 61869-2 Class 0.5		2.5m
AcuCT-4161R-600: 1A	600/1A	IEC 61869-2 Class 0.5	1.25VA	2.5m
AcuCT-4161R-800: 1A	800/1A	IEC 61869-2 Class 0.5	1.25VA	2.5m
AcuCT-4161R-1000: 1A	1000/1A	IEC 61869-2 Class 0.5	1.25VA	2.5m
AcuCT-4161R-1200: 1A	1200/1A	IEC 61869-2 Class 0.5	1.25VA	2.5m
AcuCT-4161R-1600: 1A	1600/1A	IEC 61869-2 Class 0.5	1.25VA	2.5m
AcuCT-4161R-2000: 1A	2000/1A	IEC 61869-2 Class 0.5	1.25VA	2.5m
AcuCT-4161R-2500: 1A	2500/1A	IEC 61869-2 Class 0.5	1.25VA	2.5m
AcuCT-4161R-3000: 1A	3000/1A	IEC 61869-2 Class 0.5	1.25VA	2.5m

AcuCT-4161R-4000: 1A	4000/1A	IEC 61869-2 Class 0.5	1.25VA	2.5m
AcuCT-4161R-5000: 1A	5000/1A	IEC 61869-2 Class 0.5	1.25VA	2.5m
AcuCT-4161R-600: 5A	600/5A	0.50%	1.25VA	2.5m
AcuCT-4161R-800: 5A	800/5A	IEC 61869-2 Class 0.5	1.25VA	2.5m
AcuCT-4161R-1000: 5A	1000/5A	IEC 61869-2 Class 0.5	1.25VA	2.5m
AcuCT-4161R-1200: 5A	1200/5A	IEC 61869-2 Class 0.5	1.25VA	2.5m
AcuCT-4161R-1600: 5A	1600/5A	IEC 61869-2 Class 0.5	1.25VA	2.5m
AcuCT-4161R-2000: 5A	2000/5A	IEC 61869-2 Class 0.5	1.25VA	2.5m
AcuCT-4161R-2500: 5A	2500/5A	IEC 61869-2 Class 0.5	1.25VA	2.5m
AcuCT-4161R-3000: 5A	3000/5A	IEC 61869-2 Class 0.5	1.25VA	2.5m
AcuCT-4161R-4000: 5A	4000/5A	IEC 61869-2 Class 0.5	1.25VA	2.5m
AcuCT-4161R-5000: 5A	5000/5A	IEC 61869-2 Class 0.5	1.25VA	2.5m

Ordering Information

<i>Model</i>	-	<i>Rated Input</i>	:	<i>Rated Output</i>
AcuCT-4161R		600: 600A		1A
		800: 800A		5A
		1000: 1000A		333mV
		1200: 1200A		80mA
		1600: 1600A		100mA
		2000: 2000A		200mA
		2500: 2500A		
		3000: 3000A		
		4000: 4000A		
		5000: 5000A		



Accuenergy Inc.

Los Angeles - Toronto - Pretoria

North America Toll Free: 1-877-721-8908

Web: www.accuenergy.com

Email: marketing@accuenergy.com

Revision Date: May 2026 Version: 1.0.6

Specs Subject To Change Without Notice.

Ordering Example AcuCT-4161R - 2000 : 333mV