

AcuCT R Series

AcuCT-5170R

Revenue Grade Split-Core
Current Transformer Datasheet



The AcuCT R Series CTs are premium, revenue grade split-core current transformers with a selection output options and class-leading accuracy. UL2808 Listed for guaranteed safety and quality, the AcuCT R Series combines a compact, durable form factor with a sturdy latch for added assurance in challenging applications. Installation is straightforward thanks to the user-friendly, press-open design.

Features

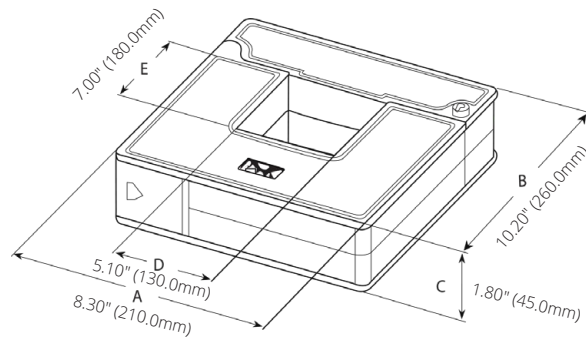
- Revenue grade accuracy: IEC 61869-2 Class 0.5 (from 5% - 120% of rated current)
- Choose from multiple voltage or current secondary output options including 5A and 333mV



Specifications

RATED CURRENT	1000A, 1600A, 2000A, 3000A, 4000A, 5000A
Current Range	5% - 120% of Rated Current
Output	5A, 1A, 80mA, 100mA, 200mA, 333mV
Accuracy	IEC 61869-2 Class 0.5
MECHANICAL/ENVIRONMENTAL	
Form Factor	Press Open Split-Core CT
Window Size	130.0mm x 180.0mm (5.10" x 7.00")
Exterior Dimensions	210.0mm x 260.0mm x 45.0mm 8.30" x 10.20" x 1.80"
Case Material	UL Enclosure Rated to 135°C (275°F)
Lead Wires	2.5m (8ft) UL 1015 18AWG
Operating Temperature	-25°C to 70°C / -13°F to 158°F
Operating Humidity	Non-Condensing, 0 to 95% RH
Installation Conditions	Indoor Use
ELECTRICAL	
Wire Polarity	White=Positive, Black=Negative
Phase Orientation	Arrow Points Towards Load
Frequency Range	50/60Hz
Output Resistance (Voltage Output) @80mA, 100mA,200mA, burden @ 5A, 1A	80mA,100mA, 200mA: 10Ω / 1A,5A: 1.25VA
SAFETY/COMPLIANCE	
Withstand Voltage	5.0KV / 1mA / 1min
Rated Voltage	600VAC, Rated CAT III
Certifications	CE, RoHS, UL Listed UL2808 (E469633) IEC 61010-1 and CSA 22.2 IEC 61869-2

Dimensions



Typical Parameter

MODEL	CURRENT RATIO	ACCURACY CLASS	BURDEN / RESISTANCE	LEAD LENGTH
AcuCT-5170R-1000: 80mA	1000/80mA	IEC 61869-2 Class 0.5	10Ω	2.5m
AcuCT-5170R-1600: 80mA	1600/80mA	IEC 61869-2 Class 0.5	10Ω	2.5m
AcuCT-5170R-2000: 80mA	2000/80mA	IEC 61869-2 Class 0.5	10Ω	2.5m
AcuCT-5170R-3000: 80mA	3000/80mA	IEC 61869-2 Class 0.5	10Ω	2.5m
AcuCT-5170R-4000: 80mA	4000/80mA	IEC 61869-2 Class 0.5	10Ω	2.5m
AcuCT-5170R-5000: 80mA	5000/80mA	IEC 61869-2 Class 0.5	10Ω	2.5m
AcuCT-5170R-1000: 100mA	1000/100mA	IEC 61869-2 Class 0.5	10Ω	2.5m
AcuCT-5170R-1600: 100mA	1600/100mA	IEC 61869-2 Class 0.5	10Ω	2.5m
AcuCT-5170R-2000: 100mA	2000/100mA	IEC 61869-2 Class 0.5	10Ω	2.5m
AcuCT-5170R-3000: 100mA	3000/100mA	IEC 61869-2 Class 0.5	10Ω	2.5m
AcuCT-5170R-4000: 100mA	4000/100mA	IEC 61869-2 Class 0.5	10Ω	2.5m
AcuCT-5170R-5000: 100mA	5000/100mA	IEC 61869-2 Class 0.5	10Ω	2.5m
AcuCT-5170R-1000: 200mA	1000/200mA	IEC 61869-2 Class 0.5	10Ω	2.5m
AcuCT-5170R-1600: 200mA	1600/200mA	IEC 61869-2 Class 0.5	10Ω	2.5m
AcuCT-5170R-2000: 200mA	2000/200mA	IEC 61869-2 Class 0.5	10Ω	2.5m
AcuCT-5170R-3000: 200mA	3000/200mA	IEC 61869-2 Class 0.5	10Ω	2.5m
AcuCT-5170R-4000: 200mA	4000/200mA	IEC 61869-2 Class 0.5	10Ω	2.5m
AcuCT-5170R-5000: 200mA	5000/200mA	IEC 61869-2 Class 0.5	10Ω	2.5m
AcuCT-5170R-1000: 333mV	1000/333mV	IEC 61869-2 Class 0.5		2.5m
AcuCT-5170R-1600:333mV	1600/333mV	IEC 61869-2 Class 0.5		2.5m
AcuCT-5170R-2000: 333mV	2000/333mV	IEC 61869-2 Class 0.5		2.5m
AcuCT-5170R-3000: 333mV	3000/333mV	IEC 61869-2 Class 0.5		2.5m
AcuCT-5170R-4000: 333mV	4000/333mV	IEC 61869-2 Class 0.5		2.5m
AcuCT-5170R-5000: 333mV	5000/333mV	IEC 61869-2 Class 0.5		2.5m
AcuCT-5170R-1000: 1A	1000/1A	IEC 61869-2 Class 0.5	1.25VA	2.5m
AcuCT-5170R-1600: 1A	1600/1A	IEC 61869-2 Class 0.5	1.25VA	2.5m
AcuCT-5170R-2000: 1A	2000/1A	IEC 61869-2 Class 0.5	1.25VA	2.5m
AcuCT-5170R-3000: 1A	3000/1A	IEC 61869-2 Class 0.5	1.25VA	2.5m
AcuCT-5170R-4000: 1A	4000/1A	IEC 61869-2 Class 0.5	1.25VA	2.5m
AcuCT-5170R-5000: 1A	5000/1A	IEC 61869-2 Class 0.5	1.25VA	2.5m
AcuCT-5170R-1000: 5A	1000/5A	IEC 61869-2 Class 0.5	1.25VA	2.5m
AcuCT-5170R-1600: 5A	1600/5A	IEC 61869-2 Class 0.5	1.25VA	2.5m
AcuCT-5170R-2000: 5A	2000/5A	IEC 61869-2 Class 0.5	1.25VA	2.5m
AcuCT-5170R-3000: 5A	3000/5A	IEC 61869-2 Class 0.5	1.25VA	2.5m
AcuCT-5170R-4000: 5A	4000/5A	IEC 61869-2 Class 0.5	1.25VA	2.5m
AcuCT-5170R-5000: 5A	5000/5A	IEC 61869-2 Class 0.5	1.25VA	2.5m

Ordering Information

Model	-	Rated Input	:	Rated Output
AcuCT-5170R		1000: 1000A		1A
		1600: 1600A		5A
		2000: 2000A		333mV
		3000: 3000A		80mA
		4000: 4000A		100mA
		5000: 5000A		200mA

Ordering Example **AcuCT-5170R** - **2000** : **333mV**



Accuenergy Inc.

Los Angeles - Toronto - Pretoria

North America Toll Free: 1-877-721-8908

Web: www.accuenergy.com

Email: marketing@accuenergy.com

Revision Date: March 2026 Version: 1.0.5

Specs Subject To Change Without Notice.