

ACCUEVERGY

AcuCT 5A Series

5A Split-Core Current Transformer

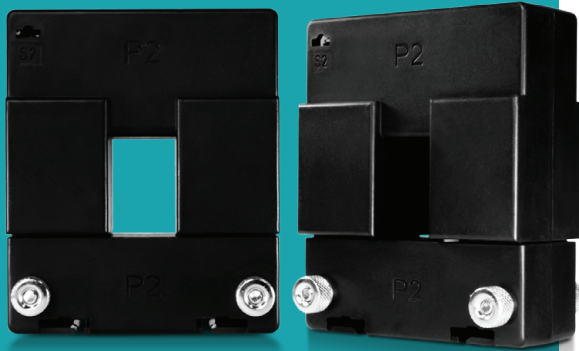


D A T A S H E E T

AcuCT 5A Series

AcuCT-0812

5A Split-Core Current Transformer Datasheet



The AcuCT 5A Series is a rugged, compact split-core current transformer designed with either 1A or 5A industrial output. Choose from multiple sizes & input ranges to adapt to a variety of special project requirements. The helpful split-core design is easy to install and does not require disconnection of cables or wires.

Features

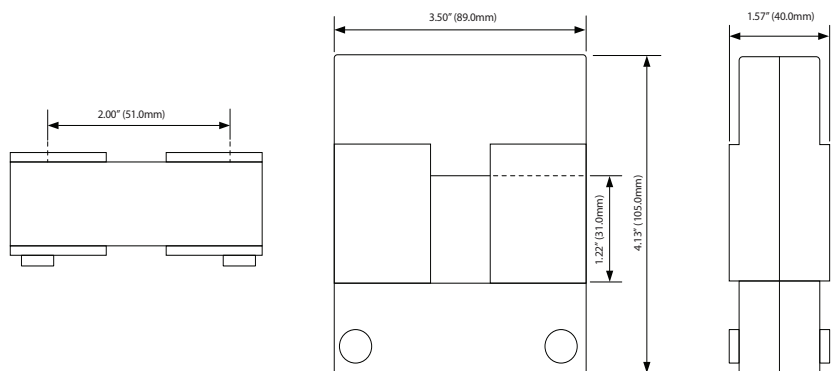
- Revenue grade accuracy: 0.5% (from 5% - 120% of rated current)
- Choose from 1A or 5A industrial standard output
- Split-core design streamlines installation
- Included accessories provide multiple mounting options
- UL Recognized



Specifications

RATED CURRENT	
Current Range	50A, 100A, 150A, 200A, 250A, 300A, 400A
Output	5A, 1A
Accuracy	0.5%
MECHANICAL/ENVIRONMENTAL	
Form Factor	Split-Core CT
Window Size	21.0mm x 31.0mm (0.83" x 1.22")
Exterior Dimensions	89.0mm x 105.0mm x 40.0mm 3.50" x 4.13" x 1.57"
Case Material	UL 94V-0 Rated Flame Retardant
Lead Wires	1000mm (3.28ft), 16AWG UL 1015 Twisted Pair
Operating Temperature	-15°C to 60°C / 5°F to 140°F
Operating Humidity	Non-Condensing, 0 to 95% RH
Installation Conditions	Indoor Use
ELECTRICAL	
Wire Polarity	White=Positive, Black=Negative
Phase Orientation	Arrow Points Towards Load
Frequency Range	50 - 400Hz
Burden	2.5VA
SAFETY/COMPLIANCE	
Withstand Voltage	3.0KV / 1mA / 1min
Rated Voltage	600VAC
Certifications	CE, RoHS, cURus (E359521)

Dimensions

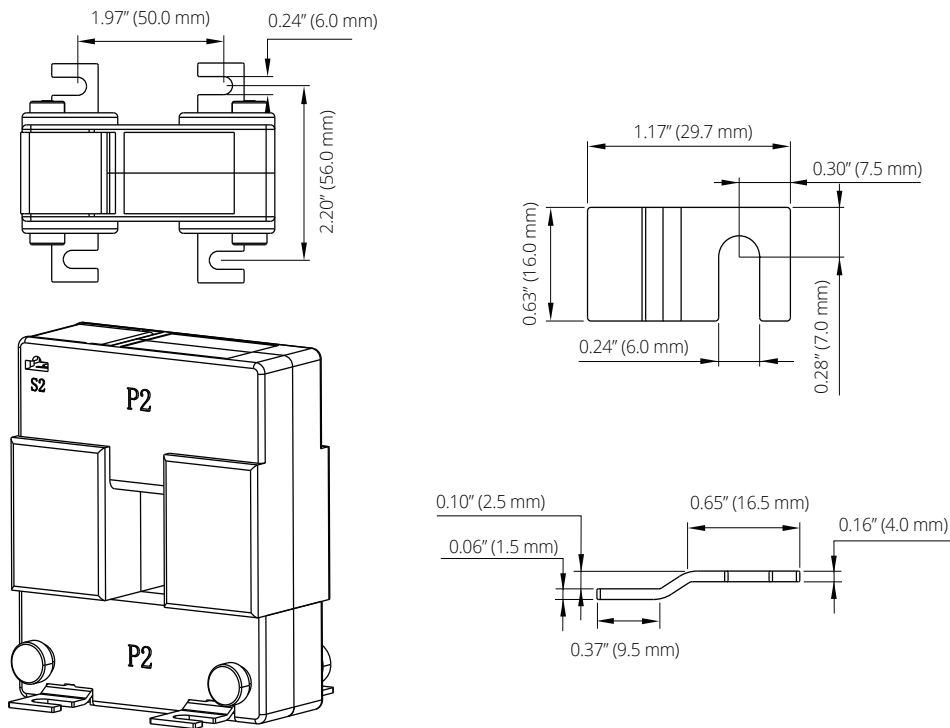


Typical Parameters

MODEL	CURRENT RATIO	ACCURACY CLASS	BURDEN/ RESISTANCE	LEAD LENGTH
AcuCT-0812-50: 1A	50/1A	1.00%	2.5VA	1m
AcuCT-0812-100: 1A	100/1A	1.00%	2.5VA	1m
AcuCT-0812-150: 1A	150/1A	1.00%	2.5VA	1m
AcuCT-0812-200: 1A	200/1A	1.00%	2.5VA	1m
AcuCT-0812-250: 1A	250/1A	0.50%	2.5VA	1m
AcuCT-0812-300: 1A	300/1A	0.50%	2.5VA	1m
AcuCT-0812-400: 1A	400/1A	0.50%	2.5VA	1m
AcuCT-0812-50: 5A	50/5A	1.00%	2.5VA	1m
AcuCT-0812-100: 5A	100/5A	1.00%	2.5VA	1m
AcuCT-0812-150: 5A	150/5A	1.00%	2.5VA	1m
AcuCT-0812-200: 5A	200/5A	1.00%	2.5VA	1m
AcuCT-0812-250: 5A	250/5A	0.50%	2.5VA	1m
AcuCT-0812-300: 5A	300/5A	0.50%	2.5VA	1m
AcuCT-0812-400: 5A	400/5A	0.50%	2.5VA	1m

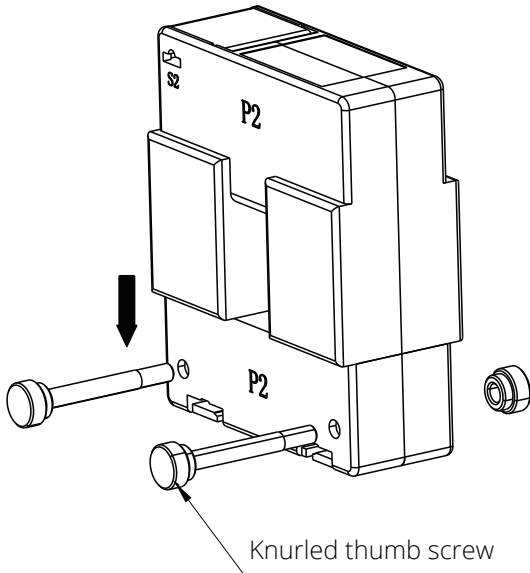
Mounting Brackets Accessory

Mounting accessories are available for AcuCT 5A series, each mounting kit includes 4 mounting brackets.

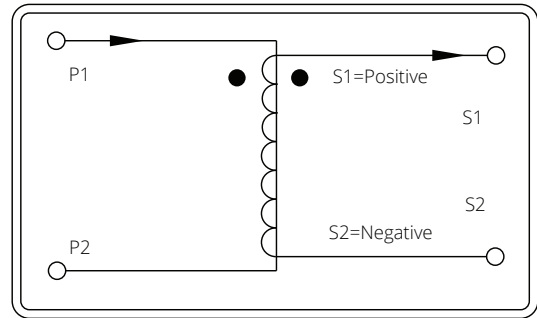


Installation Instructions

1. Loosen the knurled thumb screw of the CT, separate the CT in the direction of the arrow, install the CT over the primary conductor, then tighten the screw to complete installation. The design of the knurled thumb screw enables quick installation without the need for tools.



2. The primary conductor cable is threaded into the CT from side P1, with the white wire being positive lead and the black wire being negative lead.



Ordering Information

Model	-	Rated Input	:	Rated Output
AcuCT-0812		50: 50A		5: 5A
		100: 100A		1: 1A
		150: 150A		
		200: 200A		
		250: 250A		
		300: 300A		
		400: 400A		

Ordering Example	AcuCT-0812	-	200	:	5A
-------------------------	-------------------	----------	------------	----------	-----------

+ Accessory (Optional)

Model	Accessory
ACUBRAC	SP1

Ordering Example	ACUBRAC - SP1
-------------------------	----------------------



Accuenergy Inc.

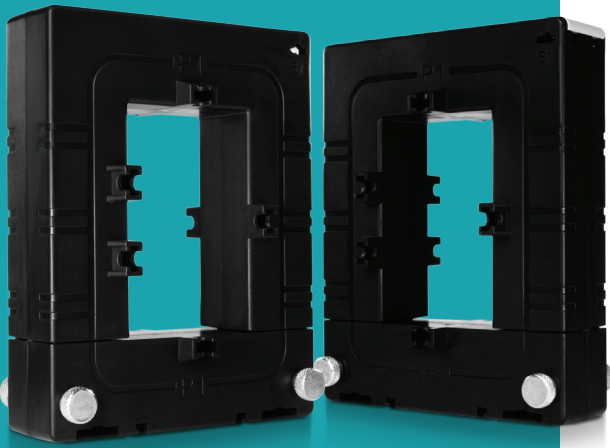
Los Angeles - Toronto - Pretoria
 North America Toll Free: 1-877-721-8908
 Web: www.accuenergy.com
 Email: marketing@accuenergy.com

Revision Date: May 2026 Version: 1.0.6
 Specs Subject To Change Without Notice.

AcuCT 5A Series

AcuCT-2031

5A Split-Core Current Transformer Datasheet



The AcuCT 5A Series is a rugged, compact split-core current transformer designed with either 1A or 5A industrial output. Choose from multiple sizes & input ranges to adapt to a variety of special project requirements. The helpful split-core design is easy to install and does not require disconnection of cables or wires.

Features

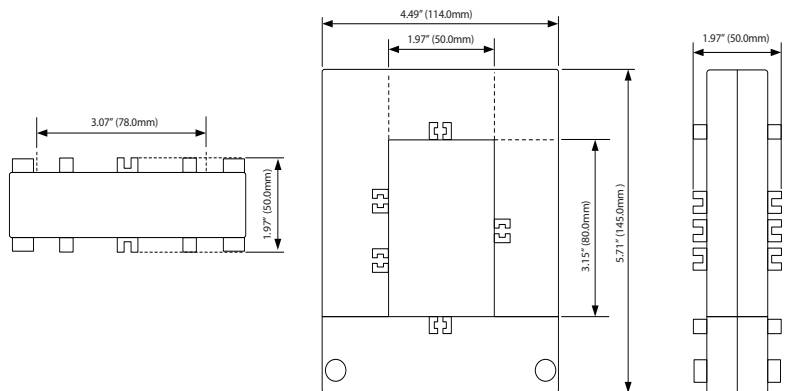
- Revenue grade accuracy: IEC 61869-2 Class 0.5 (from 5% - 120% of rated current)
- Choose from 1A or 5A industrial standard output
- Split-core design streamlines installation
- Included accessories provide multiple mounting options
- UL Recognized



Specifications

RATED CURRENT	
Current Range	5% - 120% of Rated Current
Output	5A, 1A
Accuracy	IEC 61869-2 Class 0.5
MECHANICAL/ENVIRONMENTAL	
Form Factor	Split-Core CT
Window Size	50.0mm x 80.0mm (1.97" x 3.15")
Exterior Dimensions	114.0mm x 145.0mm x 50.0mm 4.49" x 5.71" x 1.97"
Case Material	UL 94V-0 Rated Flame Retardant
Lead Wires	1000mm (3.28ft), 16AWG UL 1015 Twisted Pair
Operating Temperature	-15°C to 60°C / 5°F to 140°F
Operating Humidity	Non-Condensing, 0 to 95% RH
Installation Conditions	Indoor Use
ELECTRICAL	
Wire Polarity	White=Positive, Black=Negative
Phase Orientation	Arrow Points Towards Load
Frequency Range	50 - 400Hz
Burden	2.5VA
SAFETY/COMPLIANCE	
Withstand Voltage	3.0kV / 1mA / 1min
Rated Voltage	600VAC
Certifications	CE, RoHS, cURus (E359521), IEC 61869-2

Dimensions

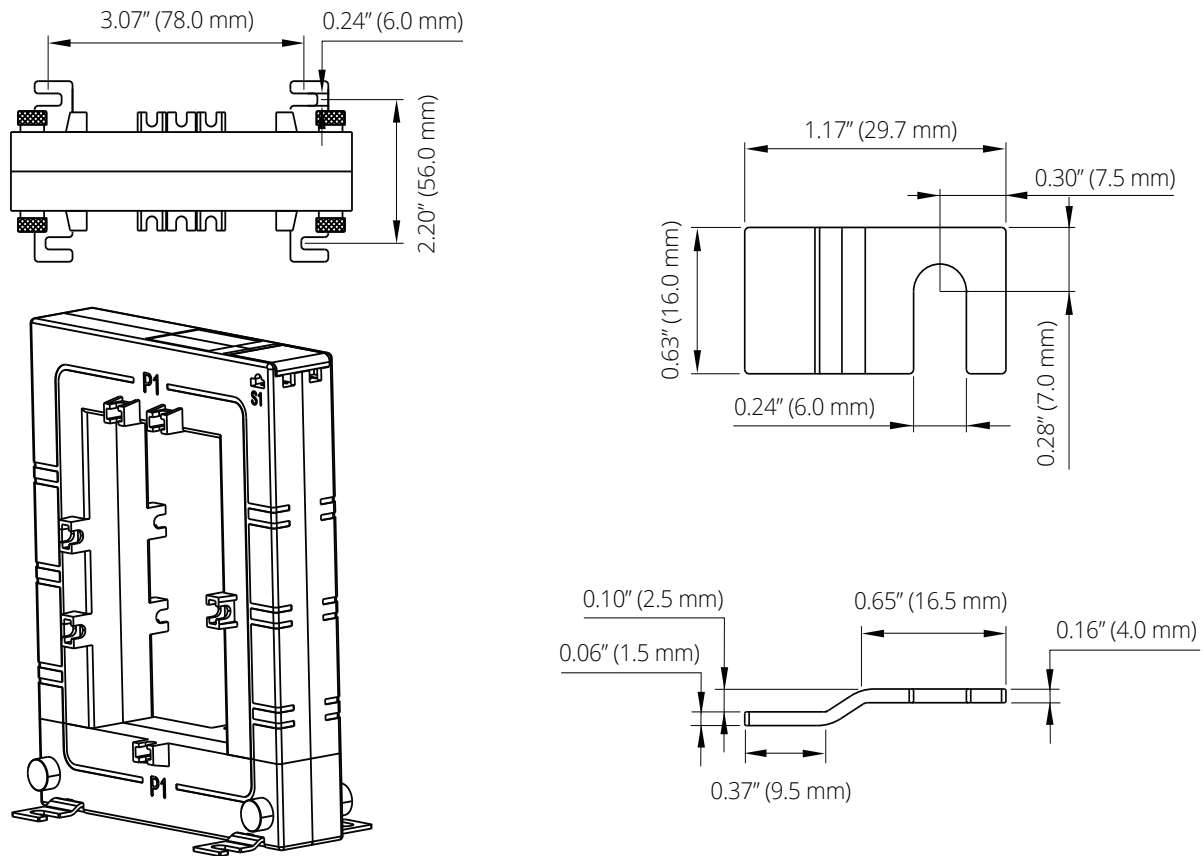


Typical Parameters

MODEL	CURRENT RATIO	ACCURACY CLASS	BURDEN/ RESISTANCE	LEAD LENGTH
AcuCT-2031-250: 1A	250/1A	1.00%	2.5VA	1m
AcuCT-2031-400: 1A	400/1A	IEC 61869-2 Class 0.5	2.5VA	1m
AcuCT-2031-500: 1A	500/1A	IEC 61869-2 Class 0.5	2.5VA	1m
AcuCT-2031-600: 1A	600/1A	IEC 61869-2 Class 0.5	2.5VA	1m
AcuCT-2031-800: 1A	800/1A	IEC 61869-2 Class 0.5	2.5VA	1m
AcuCT-2031-1000: 1A	1000/1A	IEC 61869-2 Class 0.5	2.5VA	1m
AcuCT-2031-250: 5A	250/5A	1.00%	2.5VA	1m
AcuCT-2031-400: 5A	400/5A	IEC 61869-2 Class 0.5	2.5VA	1m
AcuCT-2031-500: 5A	500/5A	IEC 61869-2 Class 0.5	2.5VA	1m
AcuCT-2031-600: 5A	600/5A	IEC 61869-2 Class 0.5	2.5VA	1m
AcuCT-2031-800: 5A	800/5A	IEC 61869-2 Class 0.5	2.5VA	1m
AcuCT-2031-1000: 5A	1000/5A	IEC 61869-2 Class 0.5	2.5VA	1m

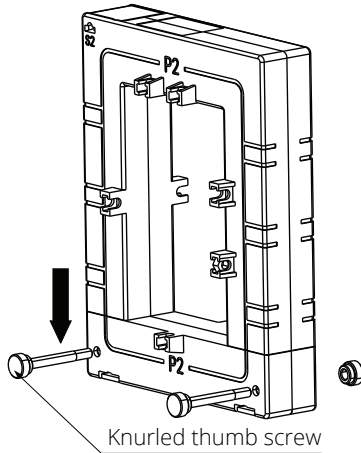
Mounting Brackets Accessory

Mounting accessories are available for AcuCT 5A series. Each mounting kit includes 4 mounting brackets.

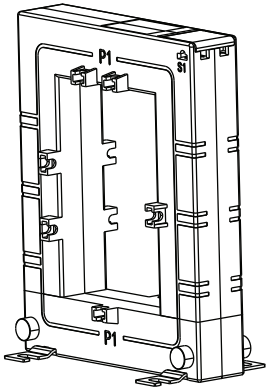


Installation Instructions

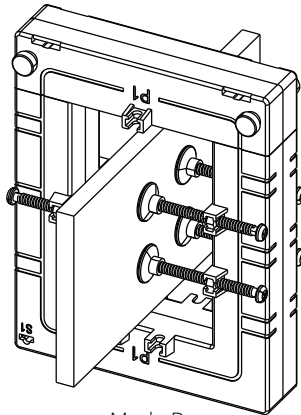
- Loosen the knurled thumb screw of the CT, separate the CT in the direction of the arrow, install the CT over the primary conductor, then tighten the screw to complete installation. The design of the knurled thumb screw enables quick installation without the need for tools.



- Due to its large size, AcuCT-2031 has two installing methods: A and B.

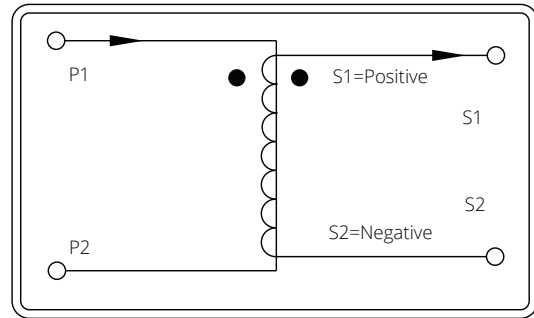


Mode A



Mode B

- Two installation methods are available as options:
 - Fix by using the plug-in mounting brackets to extend the mounting dimensions.
 - Directly fix onto the busbar using mounting studs.
- The primary conductor cable/busbar is threaded into the CT from side P1, with the white wire being positive lead and the black wire being negative lead.



Ordering Information

Model	-	Rated Input	:	Rated Output
AcuCT-2031		250: 250A		5: 5A
		400: 400A		1: 1A
		600: 600A		
		800: 800A		
		1000: 1000A		

Ordering Example AcuCT-2031 - 600 : 5A

+ Accessory (Optional)

Model	Accessory
ACUBRAC	SP2

Ordering Example ACUBRAC - SP2



Accuenergy Inc.

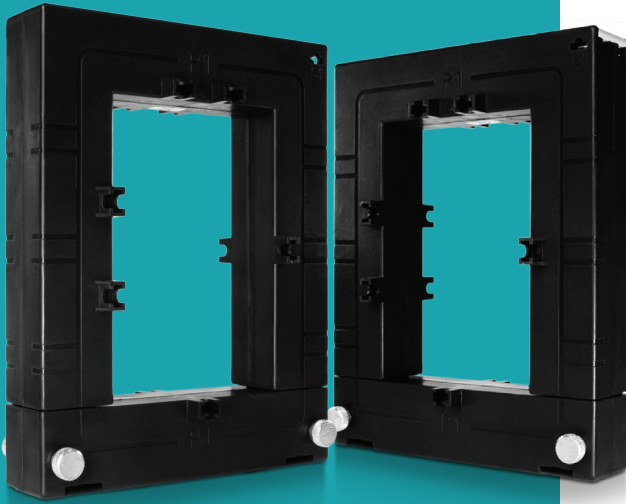
Los Angeles - Toronto - Pretoria
 North America Toll Free: 1-877-721-8908
 Web: www.accuenergy.com
 Email: marketing@accuenergy.com

Revision Date: May 2026 Version: 1.0.5
 Specs Subject To Change Without Notice.

AcuCT 5A Series

AcuCT-3147

5A Split-Core Current Transformer Datasheet



The AcuCT 5A Series is a rugged, compact split-core current transformer designed with either 1A or 5A industrial output. Choose from multiple sizes & input ranges to adapt to a variety of special project requirements. The helpful split-core design is easy to install and does not require disconnection of cables or wires.

Features

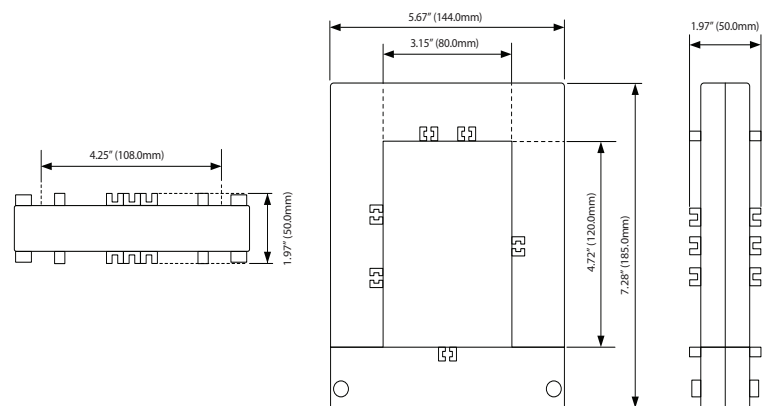
- Revenue grade accuracy: IEC 61869-2 Class 0.5 (from 5% - 120% of rated current)
- Choose from 1A or 5A industrial standard output
- Split-core design streamlines installation
- Included accessories provide multiple mounting options
- UL Recognized



Specifications

RATED CURRENT	1000A, 1200A, 1600A
Current Range	5% - 120% of Rated Current
Output	5A, 1A
Accuracy	IEC 61869-2 Class 0.5
MECHANICAL/ENVIRONMENTAL	
Form Factor	Split-Core CT
Window Size	80.0mm x 120.0mm (3.15" x 4.72")
Exterior Dimensions	144.0mm x 185.0mm x 50.0mm 5.67" x 7.28" x 1.97"
Case Material	UL 94V-0 Rated Flame Retardant
Lead Wires	1000mm (3.28ft), 16AWG UL 1015 Twisted Pair
Operating Temperature	-15°C to 60°C / 5°F to 140°F
Operating Humidity	Non-Condensing, 0 to 95% RH
Installation Conditions	Indoor Use
ELECTRICAL	
Wire Polarity	White=Positive, Black=Negative
Phase Orientation	Arrow Points Towards Load
Frequency Range	50 - 400Hz
Burden	5A
SAFETY/COMPLIANCE	
Withstand Voltage	3.0kV / 1mA / 1min
Rated Voltage	600VAC
Certifications	CE, RoHS, cURus (E359521), IEC 61869-2

Dimensions

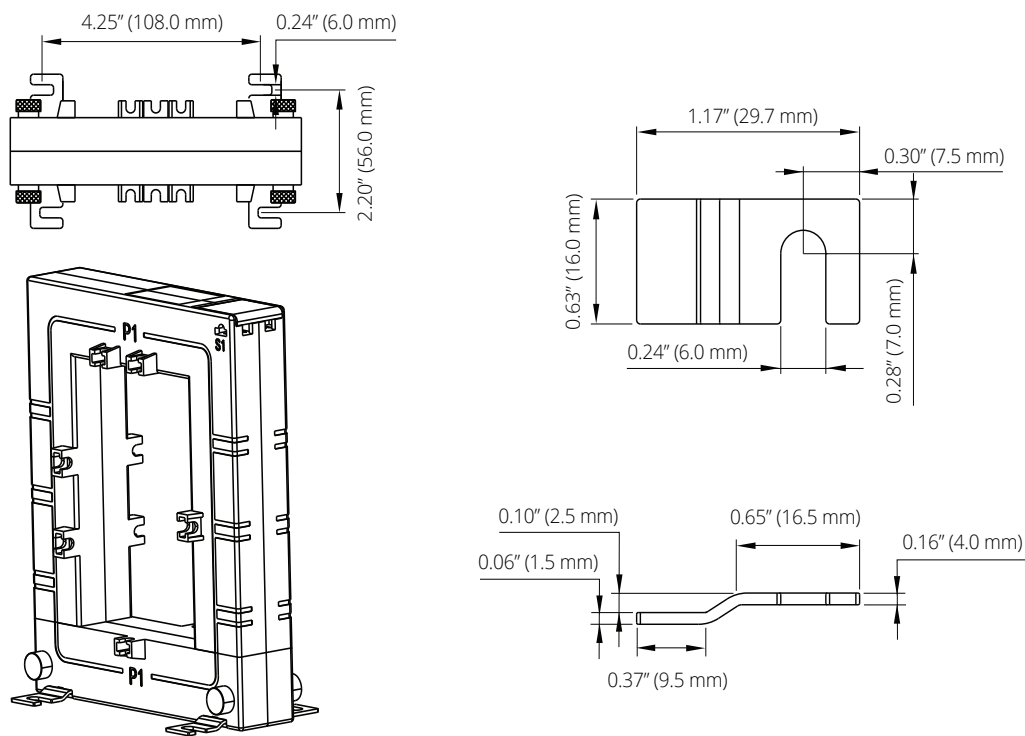


Typical Parameters

MODEL	CURRENT RATIO	ACCURACY CLASS	BURDEN/ RESISTANCE	LEAD LENGTH
AcuCT-3147-1000: 1A	1000/ 1A	IEC 61869-2 Class 0.5	5A	1m
AcuCT-3147-1200: 1A	1200/ 1A	IEC 61869-2 Class 0.5	5A	1m
AcuCT-3147-1600: 1A	1600/ 1A	IEC 61869-2 Class 0.5	5A	1m
AcuCT-3147-1000: 5A	1000/ 5A	IEC 61869-2 Class 0.5	5A	1m
AcuCT-3147-1200: 5A	1200/ 5A	IEC 61869-2 Class 0.5	5A	1m
AcuCT-3147-1600: 5A	1600/ 5A	IEC 61869-2 Class 0.5	5A	1m

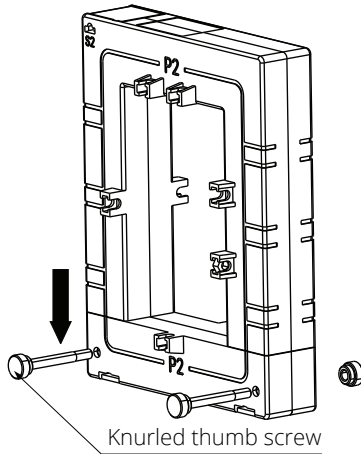
Mounting Brackets Accessory

Mounting accessories are available for AcuCT 5A series. Each mounting kit includes 4 mounting brackets.

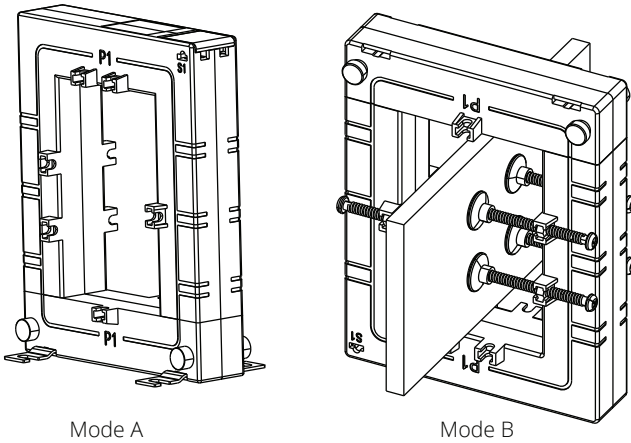


Installation Instructions

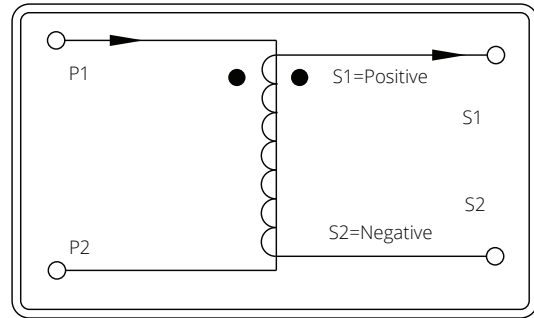
- Loosen the knurled thumb screw of the CT, separate the CT in the direction of the arrow, install the CT over the primary conductor, then tighten the screw to complete installation. The design of the knurled thumb screw enables quick installation without the need for tools.



- Due to its large size, AcuCT-3147 has two installing methods: A and B.



- Two installation methods are available as options:
 - A: Fix by using the plug-in mounting brackets to extend the mounting dimensions.
 - B: Directly fix onto the busbar using mounting studs.
- The primary conductor cable/busbar is threaded into the CT from side P1, with the white wire being positive lead and the black wire being negative lead.



Ordering Information

Model	-	Rated Input	:	Rated Output
AcuCT-3147		1000: 1000A		5: 5A
		1200: 1200A		1: 1A
		1600: 1600A		

Ordering Example	AcuCT-3147	-	1600	:	5A
-------------------------	-------------------	----------	-------------	----------	-----------

+ Accessory (Optional)

Model	Accessory
ACUBRAC	SP2

Ordering Example	ACUBRAC - SP2
-------------------------	----------------------



Accuenergy Inc.

Los Angeles - Toronto - Pretoria
 North America Toll Free: 1-877-721-8908
 Web: www.accuenergy.com
 Email: marketing@accuenergy.com

Revision Date: May 2026 Version: 1.0.5
 Specs Subject To Change Without Notice.

AcuCT 5A Series

AcuCT-3163

5A Split-Core Current Transformer Datasheet



The AcuCT 5A Series is a rugged, compact split-core current transformer designed with either 1A or 5A industrial output. Choose from multiple sizes & input ranges to adapt to a variety of special project requirements. The helpful split-core design is easy to install and does not require disconnection of cables or wires.

Features

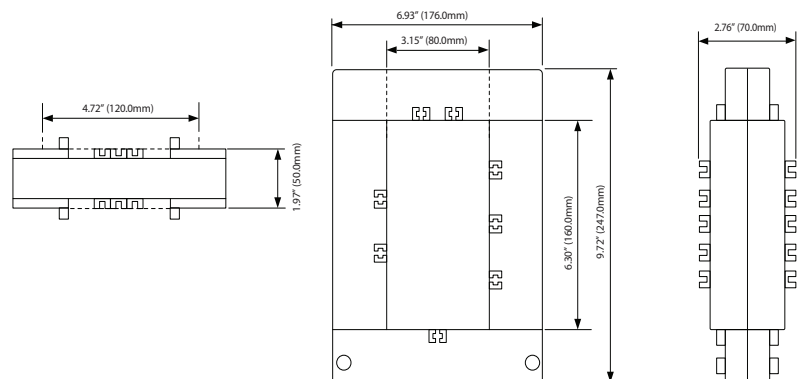
- Revenue grade accuracy: IEC 61869-2 Class 0.5 (from 5% - 120% of rated current)
- Choose from 1A or 5A industrial standard output
- Split-core design streamlines installation
- Included accessories provide multiple mounting options
- UL Recognized



Specifications

RATED CURRENT	
Rated Current	2000A, 2500A, 3000A, 4000A, 5000A
Current Range	5% - 120% of Rated Current
Output	5A, 1A
Accuracy	IEC 61869-2 Class 0.5
MECHANICAL/ENVIRONMENTAL	
Form Factor	Split-Core CT
Window Size	80.0mm x 160.0mm (3.15" x 6.30")
Exterior Dimensions	176.0mm x 247.0mm x 70.0mm 6.93" x 9.72" x 2.76"
Case Material	UL 94V-0 Rated Flame Retardant
Lead Wires	1000mm (3.28ft), 16AWG UL 1015 Twisted Pair
Operating Temperature	-15°C to 60°C / 5°F to 140°F
Operating Humidity	Non-Condensing, 0 to 95% RH
Installation Conditions	Indoor Use
ELECTRICAL	
Wire Polarity	White=Positive, Black=Negative
Phase Orientation	Arrow Points Towards Load
Frequency Range	50 - 400Hz
Burden	10VA
SAFETY/COMPLIANCE	
Withstand Voltage	3.0kV / 1mA / 1min
Rated Voltage	600VAC
Certifications	CE, RoHS, cURus (E359521), IEC 61869-2

Dimensions

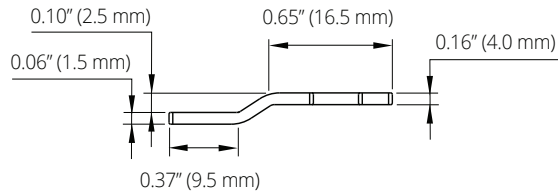
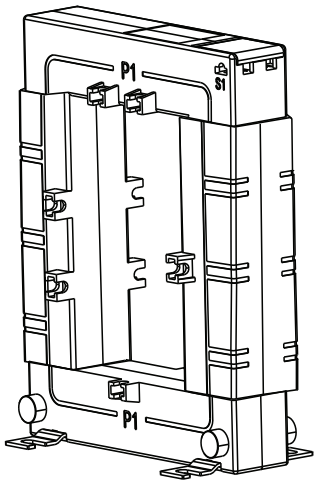
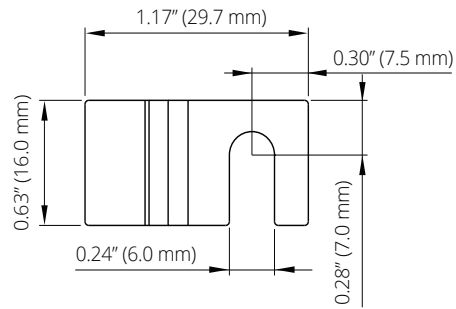
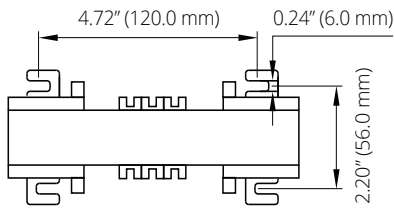


Typical Parameters

MODEL	CURRENT RATIO	ACCURACY CLASS	BURDEN/ RESISTANCE	LEAD LENGTH
AcuCT-3163-2000: 1A	2000/1A	IEC 61869-2 Class 0.5	10VA	1m
AcuCT-3163-2500: 1A	2500/1A	IEC 61869-2 Class 0.5	10VA	1m
AcuCT-3163-3000: 1A	3000/1A	IEC 61869-2 Class 0.5	10VA	1m
AcuCT-3163-4000: 1A	4000/1A	IEC 61869-2 Class 0.5	10VA	1m
AcuCT-3163-5000: 1A	5000/1A	IEC 61869-2 Class 0.5	10VA	1m
AcuCT-3163-2000: 5A	2000/5A	IEC 61869-2 Class 0.5	10VA	1m
AcuCT-3163-2500: 5A	2500/5A	IEC 61869-2 Class 0.5	10VA	1m
AcuCT-3163-3000: 5A	3000/5A	IEC 61869-2 Class 0.5	10VA	1m
AcuCT-3163-4000: 5A	4000/5A	IEC 61869-2 Class 0.5	10VA	1m
AcuCT-3163-5000: 5A	5000/5A	IEC 61869-2 Class 0.5	10VA	1m

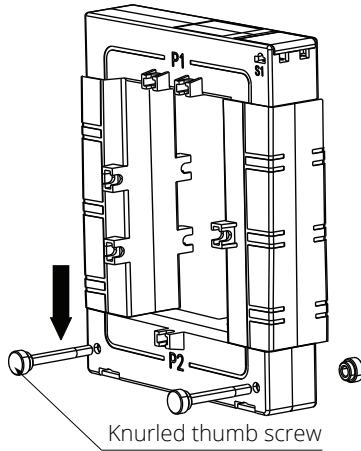
Mounting Brackets Accessory

Mounting accessories are available for AcuCT 5A series. Each mounting kit includes 4 mounting brackets.

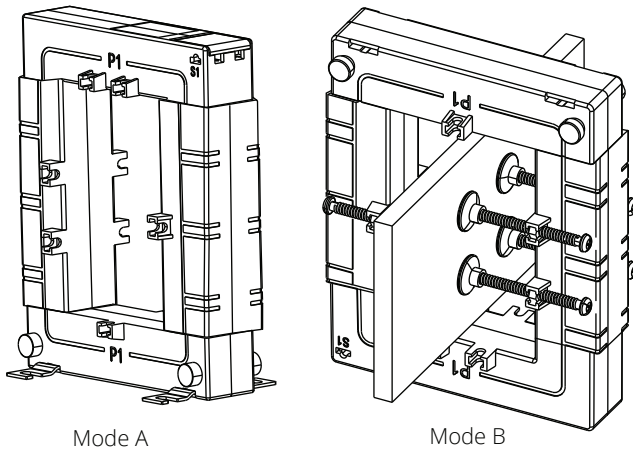


Installation Instructions

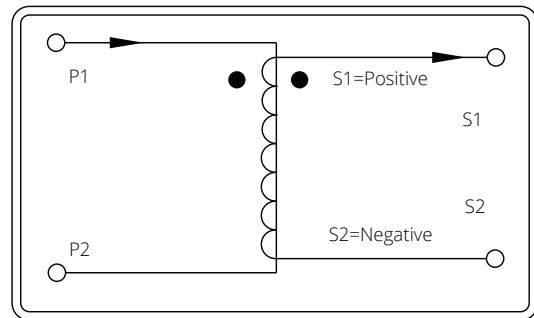
- Loosen the knurled thumb screw of the CT, separate the CT in the direction of the arrow, install the CT over the primary conductor, then tighten the screw to complete installation. The design of the knurled thumb screw enables quick installation without the need for tools.



- Due to its large size, AcuCT-3163 has two installing methods: A and B.



- Two installation methods are available as options:
 - Fix by using the plug-in mounting brackets to extend the mounting dimensions.
 - Directly fix onto the busbar using mounting studs.
- The primary conductor cable/busbar is threaded into the CT from side P1, with the white wire being positive lead and the black wire being negative lead.



Ordering Information

Model	-	Rated Input	:	Rated Output
AcuCT-3163		2000: 2000A		5: 5A
		2500: 2500A		1: 1A
		3000: 3000A		
		4000: 4000A		
		5000: 5000A		

Ordering Example	AcuCT-3163	-	2500	:	5A
-------------------------	-------------------	----------	-------------	----------	-----------

+ Accessory (Optional)

Model	Accessory
ACUBRAC	SP3

Ordering Example	ACUBRAC - SP3
-------------------------	----------------------



Accuenergy Inc.

Los Angeles - Toronto - Pretoria
 North America Toll Free: 1-877-721-8908
 Web: www.accuenergy.com
 Email: marketing@accuenergy.com

Revision Date: May 2026 Version: 1.0.5
 Specs Subject To Change Without Notice.