

AcuCT Hinged Series

AcuCT-H040

Compact Split-Core Current Transformer
Datasheet



Featuring an ultra-compact design with a convenient, hinged opening, the AcuCT Hinged split-core current transformers are high-accuracy sensors that are ideally suited for branch circuit monitoring in crowded electrical panels. The installer-friendly, hinged design facilitates fast installation without cable or wire disconnection.

Features

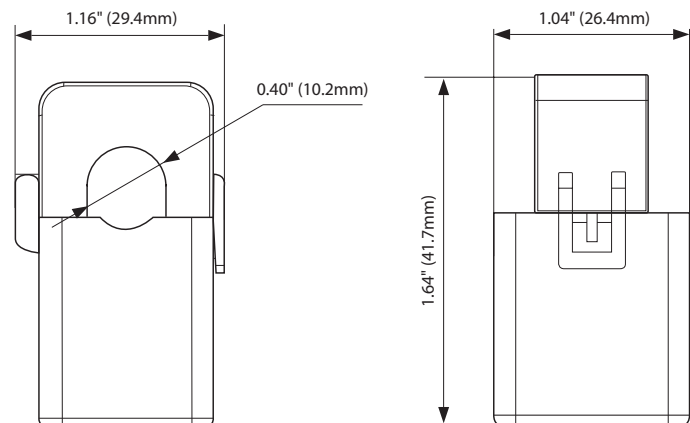
- High accuracy: 0.5% (from 10% - 120% of rated current)
- Features an inherently safe, 333mV output
- Quick installation facilitated due to hinged split-core design
- Compact design is ideal for electrical panels with limited space
- UL Recognized



Specifications

RATED CURRENT	1A, 5A, 10A, 15A, 20A, 30A, 40A, 50A, 60A
Current Range	10% - 120% of Rated Current
Output	333mV
Accuracy	Class 0.5%
MECHANICAL/ENVIRONMENTAL	
Form Factor	Hinged Split-Core CT
Window Size	10.2mm (0.40")
Exterior Dimensions	29.4mm x 26.4mm x 41.7mm 1.16" x 1.04" x 1.64"
Case Material	Black Nylon, UL 94V-0
Lead Wires	2.5m (8ft) Twisted Pair, 22AWG
Operating Temperature	-25°C to 70°C / -13°F to 158°F
Operating Humidity	Non-Condensing, 0 to 95% RH
Installation Conditions	Indoor Use
ELECTRICAL	
Wire Polarity	White=Positive, Black=Negative
Phase Orientation	Arrow Points Towards Load
Frequency Range	50-1KHz (50-400Hz)
SAFETY/COMPLIANCE	
Withstand Voltage	3.0KV / 1mA / 1min
Rated Voltage	600VAC
Certifications & Compliance	CE, RoHS, cURus (E359521)

Dimensions



Typical Parameter

MODEL	CURRENT RATIO	ACCURACY CLASS	LEAD LENGTH
AcuCT-H040-1: 333mV	1/333mV	1%	2.5m
AcuCT-H040-5: 333mV	5/333mV	1%	2.5m
AcuCT-H040-10: 333mV	10/333mV	0.50%	2.5m
AcuCT-H040-15: 333mV	15/333mV	0.50%	2.5m
AcuCT-H040-20: 333mV	20/333mV	0.50%	2.5m
AcuCT-H040-30: 333mV	30/333mV	0.50%	2.5m
AcuCT-H040-40: 333mV	40/333mV	0.50%	2.5m
AcuCT-H040-50: 333mV	50/333mV	0.50%	2.5m
AcuCT-H040-60: 333mV	60/333mV	0.50%	2.5m

Ordering Information

<i>Model</i>	-	<i>Rated Input</i>	:	<i>Rated Output</i>
AcuCT-H040		1: 1A		333mV
		5: 5A		
		10: 10A		
		15: 15A		
		20: 20A		
		30: 30A		
		40: 40A		
		50: 50A		
		60: 60A		

Ordering Example	AcuCT-H040	-	20	:	333mV
-------------------------	-------------------	----------	-----------	----------	--------------



Accuenergy Inc.

Los Angeles - Toronto - Pretoria
 North America Toll Free: 1-877-721-8908
 Web: www.accuenergy.com
 Email: marketing@accuenergy.com

Revision Date: March 2026 Version: 1.0.8
 Specs Subject To Change Without Notice.