

AcuCT Hinged Series

AcuCT-H063

Compact Split-Core Current Transformer
Datasheet



Featuring an ultra-compact design with a convenient, hinged opening, the AcuCT Hinged split-core current transformers are high-accuracy sensors that are ideally suited for branch circuit monitoring in crowded electrical panels. The installer-friendly, hinged design facilitates fast installation without cable or wire disconnection.

Features

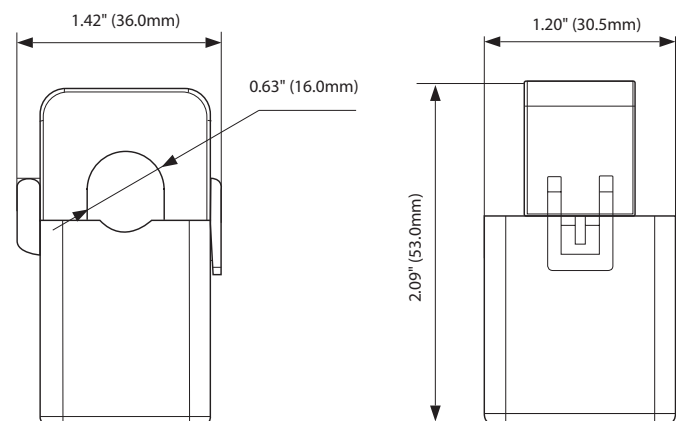
- High accuracy: 0.5% (from 10% - 120% of rated current)
- Features an inherently safe, 333mV output
- Quick installation facilitated by hinged split-core design
- Compact design is ideal for electrical panels with limited space
- UL Recognized



Specifications

RATED CURRENT	
Current Range	5A, 30A, 50A, 75A, 100A, 150A
Output	10% - 120% of Rated Current
Output	80mA, 100mA, 333mV
Accuracy	0.5%
MECHANICAL/ENVIRONMENTAL	
Form Factor	Hinged Split-Core CT
Window Size	16.0mm (0.63")
Exterior Dimensions	36.0mm x 30.5mm x 53.0mm 1.42" x 1.20" x 2.09"
Case Material	Black Nylon, UL 94V-0
Lead Wires	2.5m (8ft) Twisted Pair, 22AWG
Operating Temperature	-25°C to 70°C / -13°F to 158°F
Operating Humidity	Non-Condensing, 0 to 95% RH
Installation Conditions	Indoor Use
ELECTRICAL	
Wire Polarity	White=Positive, Black=Negative
Phase Orientation	Arrow Points Towards Load
Frequency Range	50-1KHz (50-400Hz)
Output Resistance (Voltage Output) @80mA and 100mA	30A-150A: 10Ω @80mA and 100mA
SAFETY/COMPLIANCE	
Withstand Voltage	3.0KV / 1mA / 1min
Rated Voltage	600VAC
Certifications & Compliance	CE, RoHS, cURus (E359521)

Dimensions



Typical Parameter

MODEL	CURRENT RATIO	ACCURACY CLASS	BURDEN/RESISTANCE	LEAD LENGTH
AcuCT-H063-30: 80mA	30/80mA	0.50%	10Ω	2.5m
AcuCT-H063-50: 80mA	50/80mA	0.50%	10Ω	2.5m
AcuCT-H063-75: 80mA	75/80mA	0.50%	10Ω	2.5m
AcuCT-H063-100: 80mA	100/80mA	0.50%	10Ω	2.5m
AcuCT-H063-150: 80mA	150/80mA	0.50%	10Ω	2.5m
AcuCT-H063-30: 100mA	30/100mA	0.50%	10Ω	2.5m
AcuCT-H063-50: 100mA	50/100mA	0.50%	10Ω	2.5m
AcuCT-H063-75: 100mA	75/100mA	0.50%	10Ω	2.5m
AcuCT-H063-100: 100mA	100/100mA	0.50%	10Ω	2.5m
AcuCT-H063-150: 100mA	150/100mA	0.50%	10Ω	2.5m
AcuCT-H063-5: 333mV	5/333mV	0.50%		2.5m
AcuCT-H063-30: 333mV	30/333mV	0.50%		2.5m
AcuCT-H063-50: 333mV	50/333mV	0.50%		2.5m
AcuCT-H063-75: 333mV	75/333mV	0.50%		2.5m
AcuCT-H063-100: 333mV	100/333mV	0.50%		2.5m
AcuCT-H063-150: 333mV	150/333mV	0.50%		2.5m

Ordering Information

Model	-	Rated Input	:	Rated Output
AcuCT-H063		5: 5A		333mV
		30: 30A		80mA
		50: 50A		100mA
		75: 75A		
		100: 100A		
		150: 150A		

Ordering Example

AcuCT-H063 - 50 : 333mV



Accuenergy Inc.

Los Angeles - Toronto - Pretoria
 North America Toll Free: 1-877-721-8908
 Web: www.accuenergy.com
 Email: marketing@accuenergy.com

Revision Date: March 2026 Version: 1.0.8
 Specs Subject To Change Without Notice.