

*ACCUEVERGY*

# AcuCT Hinged Series

Compact Split-Core Current Transformer



D A T A S H E E T

# AcuCT Hinged Series

## AcuCT-H040

Compact Split-Core Current Transformer  
Datasheet



Featuring an ultra-compact design with a convenient, hinged opening, the AcuCT Hinged split-core current transformers are high-accuracy sensors that are ideally suited for branch circuit monitoring in crowded electrical panels. The installer-friendly, hinged design facilitates fast installation without cable or wire disconnection.

### Features

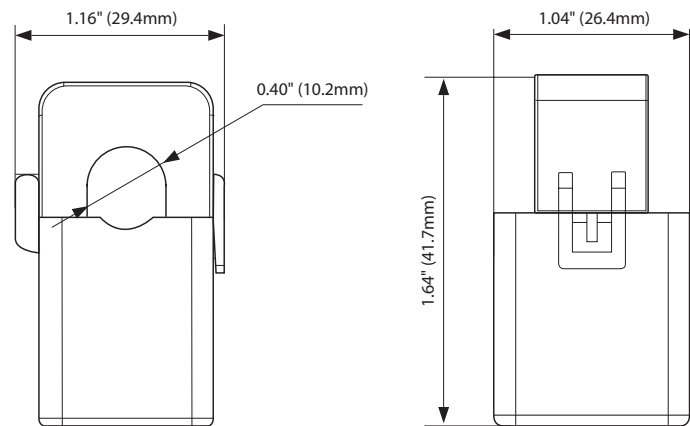
- High accuracy: 0.5%
- Features an inherently safe, 333mV output
- Quick installation facilitated due to hinged split-core design
- Compact design is ideal for electrical panels with limited space
- UL Recognized



### Specifications

<b>RATED CURRENT</b>	
Current Range	1A, 5A, 10A, 15A, 20A, 30A, 40A, 50A, 60A
Output	10% - 120% of Rated Current
Accuracy	333mV
Accuracy	0.5%
<b>MECHANICAL/ENVIRONMENTAL</b>	
Form Factor	Hinged Split-Core CT
Window Size	10.2mm (0.40")
Exterior Dimensions	29.4mm x 26.4mm x 41.7mm 1.16" x 1.04" x 1.64"
Case Material	Black Nylon, UL 94V-0
Lead Wires	2.5m (8ft) Twisted Pair, 22AWG
Operating Temperature	-25°C to 70°C / -13°F to 158°F
Operating Humidity	Non-Condensing, 0 to 95% RH
Installation Conditions	Indoor Use
<b>ELECTRICAL</b>	
Wire Polarity	White=Positive, Black=Negative
Phase Orientation	Arrow Points Towards Load
Frequency Range	50-1KHz (50-400Hz)
<b>SAFETY/COMPLIANCE</b>	
Withstand Voltage	3.0KV / 1mA / 1min
Rated Voltage	600VAC
Certifications & Compliance	CE, RoHS, cURus (E359521)

### Dimensions



## Typical Parameter

MODEL	CURRENT RATIO	ACCURACY CLASS	LEAD LENGTH
AcuCT-H040-1: 333mV	1/333mV	1%	2.5m
AcuCT-H040-5: 333mV	5/333mV	1%	2.5m
AcuCT-H040-10: 333mV	10/333mV	0.50%	2.5m
AcuCT-H040-15: 333mV	15/333mV	0.50%	2.5m
AcuCT-H040-20: 333mV	20/333mV	0.50%	2.5m
AcuCT-H040-30: 333mV	30/333mV	0.50%	2.5m
AcuCT-H040-40: 333mV	40/333mV	0.50%	2.5m
AcuCT-H040-50: 333mV	50/333mV	0.50%	2.5m
AcuCT-H040-60: 333mV	60/333mV	0.50%	2.5m

## Ordering Information

Model	-	Rated Input	:	Rated Output
AcuCT-H040		1: 1A		333mV
		5: 5A		
		10: 10A		
		15: 15A		
		20: 20A		
		30: 30A		
		40: 40A		
		50: 50A		
		60: 60A		

<b>Ordering Example</b>	<b>AcuCT-H040</b>	<b>-</b>	<b>20</b>	<b>:</b>	<b>333mV</b>
-------------------------	-------------------	----------	-----------	----------	--------------



### Accuenergy Inc.

Los Angeles - Toronto - Pretoria  
 North America Toll Free: 1-877-721-8908  
 Web: [www.accuenergy.com](http://www.accuenergy.com)  
 Email: [marketing@accuenergy.com](mailto:marketing@accuenergy.com)

Revision Date: April 2026 Version: 1.0.9  
 Specs Subject To Change Without Notice.

# AcuCT Hinged Series

## AcuCT-H063

Compact Split-Core Current Transformer  
Datasheet



Featuring an ultra-compact design with a convenient, hinged opening, the AcuCT Hinged split-core current transformers are high-accuracy sensors that are ideally suited for branch circuit monitoring in crowded electrical panels. The installer-friendly, hinged design facilitates fast installation without cable or wire disconnection.

### Features

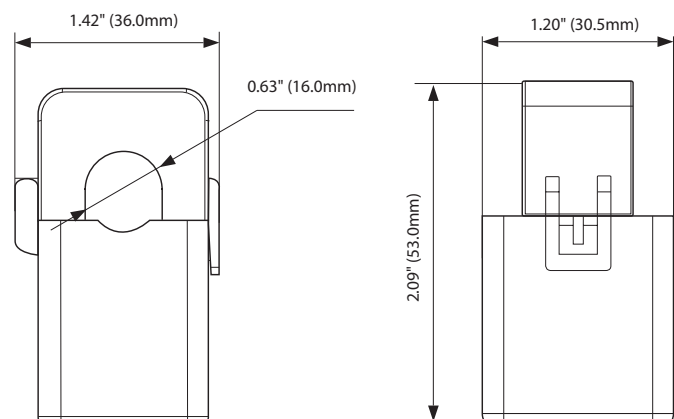
- High accuracy: 0.5%
- Features an inherently safe, 333mV output
- Quick installation facilitated by hinged split-core design
- Compact design is ideal for electrical panels with limited space
- UL Recognized



### Specifications

<b>RATED CURRENT</b>	
Current Range	5A, 30A, 50A, 75A, 100A, 150A
Output	10% - 120% of Rated Current
Output	333mV
Accuracy	0.5%
<b>MECHANICAL/ENVIRONMENTAL</b>	
Form Factor	Hinged Split-Core CT
Window Size	16.0mm (0.63")
Exterior Dimensions	36.0mm x 30.5mm x 53.0mm 1.42" x 1.20" x 2.09"
Case Material	Black Nylon, UL 94V-0
Lead Wires	2.5m (8ft) Twisted Pair, 22AWG
Operating Temperature	-25°C to 70°C / -13°F to 158°F
Operating Humidity	Non-Condensing, 0 to 95% RH
Installation Conditions	Indoor Use
<b>ELECTRICAL</b>	
Wire Polarity	White=Positive, Black=Negative
Phase Orientation	Arrow Points Towards Load
Frequency Range	50-1KHz (50-400Hz)
<b>SAFETY/COMPLIANCE</b>	
Withstand Voltage	3.0KV / 1mA / 1min
Rated Voltage	600VAC
Certifications & Compliance	CE, RoHS, cURus (E359521)

### Dimensions



## Typical Parameter

MODEL	CURRENT RATIO	ACCURACY CLASS	LEAD LENGTH
AcuCT-H063-5: 333mV	5/333mV	0.50%	2.5m
AcuCT-H063-30: 333mV	30/333mV	0.50%	2.5m
AcuCT-H063-50: 333mV	50/333mV	0.50%	2.5m
AcuCT-H063-75: 333mV	75/333mV	0.50%	2.5m
AcuCT-H063-100: 333mV	100/333mV	0.50%	2.5m
AcuCT-H063-150: 333mV	150/333mV	0.50%	2.5m

## Ordering Information

<i>Model</i>	-	<i>Rated Input</i>	:	<i>Rated Output</i>
AcuCT-H063		5: 5A		333mV
		30: 30A		
		50: 50A		
		75: 75A		
		100: 100A		
		150: 150A		

### Ordering Example

AcuCT-H063 - 50 : 333mV



### Accuenergy Inc.

Los Angeles - Toronto - Pretoria  
 North America Toll Free: 1-877-721-8908  
 Web: [www.accuenergy.com](http://www.accuenergy.com)  
 Email: [marketing@accuenergy.com](mailto:marketing@accuenergy.com)

Revision Date: April 2026 Version: 1.0.10  
 Specs Subject To Change Without Notice.

# AcuCT Hinged Series

## AcuCT-H100

Compact Split-Core Current Transformer  
Datasheet



Featuring an ultra-compact design with a convenient, hinged opening, the AcuCT Hinged split-core current transformers are high-accuracy sensors that are ideally suited for branch circuit monitoring in crowded electrical panels. The installer-friendly, hinged design facilitates fast installation without cable or wire disconnection.

### Features

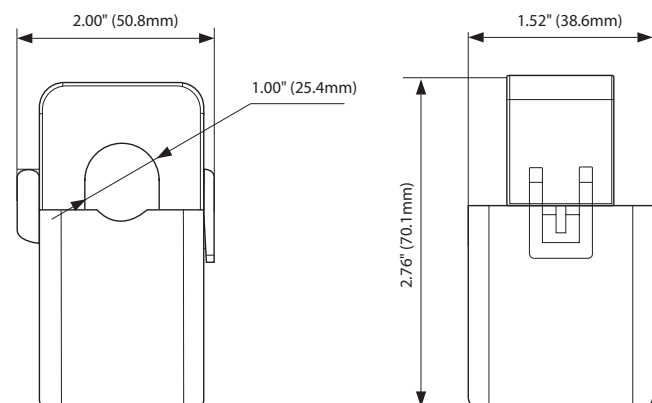
- High accuracy: Compliant with IEC 61869-2 Class 0.5 (from 5% - 120% of rated current)
- Features an inherently safe 333mV output
- Quick installation facilitated due to hinged split-core design
- Compact design is ideal for electrical panels with limited space
- UL Recognized



### Specifications

<b>RATED CURRENT</b>	10A, 20A, 30A, 50A, 60A, 100A, 120A, 150A, 200A, 250A
Current Range	5% - 120% of Rated Current
Output	333mV
Accuracy	IEC 61869-2 Class 0.5
<b>MECHANICAL/ENVIRONMENTAL</b>	
Form Factor	Hinged Split-Core CT
Window Size	25.4mm (1.00")
Exterior Dimensions	50.8mm x 38.6mm x 70.1mm 2.00" x 1.52" x 2.76"
Case Material	Black Nylon, UL 94V-0
Lead Wires	2.5m (8ft) Twisted Pair, 22AWG
Operating Temperature	-25°C to 70°C / -13°F to 158°F
Operating Humidity	Non-Condensing, 0 to 95% RH
Installation Conditions	Indoor Use
<b>ELECTRICAL</b>	
Wire Polarity	White=Positive, Black=Negative
Phase Orientation	Arrow Points Towards Load
Frequency Range	50-1KHz (50-400Hz)
<b>SAFETY/COMPLIANCE</b>	
Withstand Voltage	3.0KV / 1mA / 1min
Rated Voltage	600VAC
Certifications & Compliance	CE, RoHS, cURus (E359521), IEC 61869-2

### Dimensions



## Typical Parameter

MODEL	CURRENT RATIO	ACCURACY CLASS	LEAD LENGTH
AcuCT-H100-10: 333mV	10/333mV	0.50%	2.5m
AcuCT-H100-20: 333mV	20/333mV	0.50%	2.5m
AcuCT-H100-30: 333mV	30/333mV	0.50%	2.5m
AcuCT-H100-50: 333mV	50/333mV	0.50%	2.5m
AcuCT-H100-60: 333mV	60/333mV	0.50%	2.5m
AcuCT-H100-100: 333mV	100/333mV	0.50%	2.5m
AcuCT-H100-120: 333mV	120/333mV	0.50%	2.5m
AcuCT-H100-150: 333mV	150/333mV	IEC 61869-2 Class 0.5	2.5m
AcuCT-H100-200: 333mV	200/333mV	IEC 61869-2 Class 0.5	2.5m
AcuCT-H100-250: 333mV	250/333mV	IEC 61869-2 Class 0.5	2.5m

## Ordering Information

<i>Model</i>	-	<i>Rated Input</i>	:	<i>Rated Output</i>
AcuCT-H100		10: 10A		333mV
		20: 20A		
		30: 30A		
		50: 50A		
		60: 60A		
		100: 100A		
		120: 120A		
		200: 200A		
		250: 250A		

**Ordering Example**      AcuCT-H100      -      120      :      333mV



### Accuenergy Inc.

Los Angeles - Toronto - Pretoria  
 North America Toll Free: 1-877-721-8908  
 Web: [www.accuenergy.com](http://www.accuenergy.com)  
 Email: [marketing@accuenergy.com](mailto:marketing@accuenergy.com)

Revision Date: April 2026 Version: 1.0.10  
 Specs Subject To Change Without Notice.

# AcuCT Hinged Series

## AcuCT-H138

Compact Split-Core Current Transformer  
Datasheet



Featuring an ultra-compact design with a convenient, hinged opening, the AcuCT Hinged split-core current transformers are high-accuracy sensors that are ideally-suited for branch circuit monitoring in crowded electrical panels. The installer-friendly, hinged design facilitates fast installation without cable or wire disconnection.

### Features

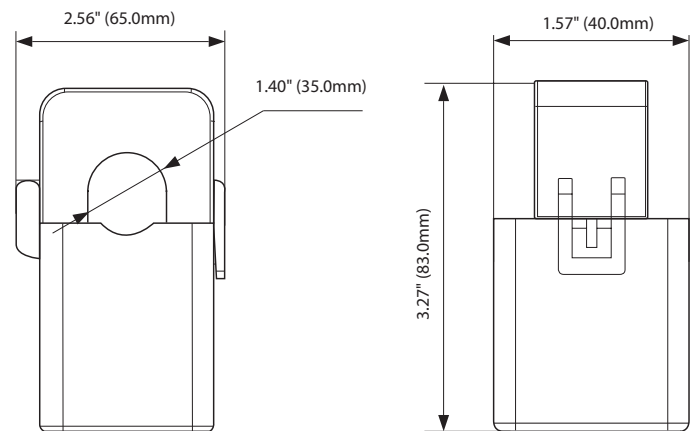
- High accuracy: Compliant with IEC 61869-2 Class 0.5 (from 5% - 120% of rated current)
- Features an inherently safe 333mV output
- Quick installation facilitated due to hinged split-core design
- Compact design is ideal for electrical panels with limited space
- UL Recognized



### Specifications

<b>RATED CURRENT</b>	
Current Range	200A, 250A, 300A, 400A, 500A, 600A
Output	5% - 120% of Rated Current
Output	333mV
Accuracy	IEC 61869-2 Class 0.5
<b>MECHANICAL/ENVIRONMENTAL</b>	
Form Factor	Hinged Split-Core CT
Window Size	35.0mm (1.40")
Exterior Dimensions	65.00mm x 40.00mm x 83.00mm 2.56" x 1.57" x 3.27"
Case Material	Black Nylon, UL 94V-0
Lead Wires	2.5m (8ft) Twisted Pair, 22AWG
Operating Temperature	-25°C to 70°C / -13°F to 158°F
Operating Humidity	Non-Condensing, 0 to 95% RH
Installation Conditions	Indoor Use
<b>ELECTRICAL</b>	
Wire Polarity	White=Positive, Black=Negative
Phase Orientation	Arrow Points Towards Load
Frequency Range	50-1KHz (50-400Hz)
<b>SAFETY/COMPLIANCE</b>	
Withstand Voltage	3.0KV / 1mA / 1min
Rated Voltage	600VAC
Certifications & Compliance	CE, RoHS, cURus (E359521), IEC 61869-2

### Dimensions



## Typical Parameter

MODEL	CURRENT RATIO	ACCURACY CLASS	LEAD LENGTH
AcuCT-H138-200: 333mV	200/333mV	IEC 61869-2 Class 0.5	2.5m
AcuCT-H138-250: 333mV	250/333mV	IEC 61869-2 Class 0.5	2.5m
AcuCT-H138-300: 333mV	300/333mV	IEC 61869-2 Class 0.5	2.5m
AcuCT-H138-400: 333mV	400/333mV	IEC 61869-2 Class 0.5	2.5m
AcuCT-H138-500: 333mV	500/333mV	IEC 61869-2 Class 0.5	2.5m
AcuCT-H138-600: 333mV	600/333mV	IEC 61869-2 Class 0.5	2.5m

## Ordering Information

<i>Model</i>	-	<i>Rated Input</i>	:	<i>Rated Output</i>
AcuCT-H138		200: 200A		333mV
		250: 250A		
		300: 300A		
		400: 400A		
		500: 500A		
		600: 600A		

### Ordering Example

AcuCT-H138 - 200 : 333mV



### Accuenergy Inc.

Los Angeles - Toronto - Pretoria

North America Toll Free: 1-877-721-8908

Web: [www.accuenergy.com](http://www.accuenergy.com)

Email: [marketing@accuenergy.com](mailto:marketing@accuenergy.com)

Revision Date: April 2026 Version: 1.0.10  
Specs Subject To Change Without Notice.