

ACCUEVERGY

AcuCT mV Series

333mV Split-Core Current Transformer



D A T A S H E E T

AcuCT mV Series

AcuCT-075

333mV Split-Core Current Transformer
Datasheet



Ideal for gathering high-precision measurements in commercial or industrial electrical panels or switchgear, the AcuCT mV Series is a revenue grade current transformer with a safe, 333mV output. The AcuCT mV is compatible with a range of meters or other instrumentation, and the pull-apart, split-core design helps facilitate fast installation without cable or wire disconnection.

Features

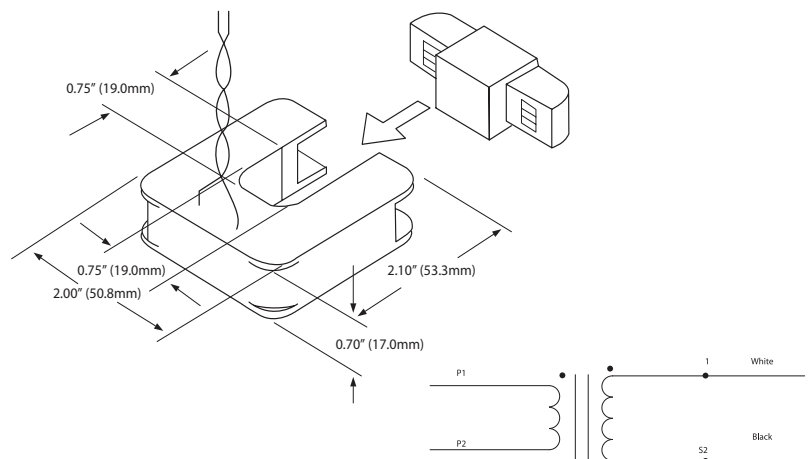
- Revenue Grade Accuracy: 1%
- Safe, 333mV output
- Split-Core design for quick installation
- UL Recognized



Specifications

RATED CURRENT	
Current Range	50A, 100A, 150A, 200A
Output	5% - 120% of Rated Current
Accuracy	333mV
	1%
MECHANICAL/ENVIRONMENTAL	
Form Factor	Split-Core CT
Window Size	19.0mm x 19.0mm (0.75" x 0.75")
Exterior Dimensions	50.8mm x 53.3mm x 17.0mm 2.00" x 2.10" x 0.70"
Case Material	Epoxy Encapsulated Housing, UL 94V-0
Lead Wires	2.5m (8ft) Twisted Pair, 22AWG
Operating Temperature	-20°C to 55°C / -4°F to 131°F
Operating Humidity	Non-Condensing, 0 to 95% RH
Installation Conditions	Indoor Use
ELECTRICAL	
Wire Polarity	White=Positive, Black=Negative
Phase Orientation	Arrow Points Towards Load
Frequency Range	50/60Hz
SAFETY/COMPLIANCE	
Withstand Voltage	3.0KV / 1mA / 1min
Insulation Voltage	600VAC , CAT III
Rated Voltage	600VAC
Certifications	CE, RoHS, cURus (E359521)

Dimensions



Typical Parameter

MODEL	CURRENT RATIO	ACCURACY CLASS	LEAD LENGTH
AcuCT-075-50: 333mV	50/333mV	1.00%	2.5m
AcuCT-075-100: 333mV	100/333mV	1.00%	2.5m
AcuCT-075-150: 333mV	150/333mV	1.00%	2.5m
AcuCT-075-200: 333mV	200/333mV	1.00%	2.5m

Ordering Information

<i>Model</i>	-	<i>Rated Input</i>	:	<i>Rated Output</i>
AcuCT-075		50: 50A		333mV
		100: 100A		
		150: 150A		
		200: 200A		

Ordering Example **AcuCT-075** - **100** : **333mV**



Accuenergy Inc.

Los Angeles - Toronto - Pretoria
 North America Toll Free: 1-877-721-8908
 Web: www.accuenergy.com
 Email: marketing@accuenergy.com

Revision Date: April 2026 Version: 1.1.6
 Specs Subject To Change Without Notice.

AcuCT mV Series

AcuCT-125

333mV Split-Core Current Transformer
Datasheet



Ideal for gathering high-precision measurements in commercial or industrial electrical panels or switchgear, the AcuCT mV Series is a revenue grade current transformer with a safe, 333mV output. The AcuCT mV is compatible with a range of meters or other instrumentation and the pull-apart, split-core design helps facilitate fast installation without cable or wire disconnection.

Features

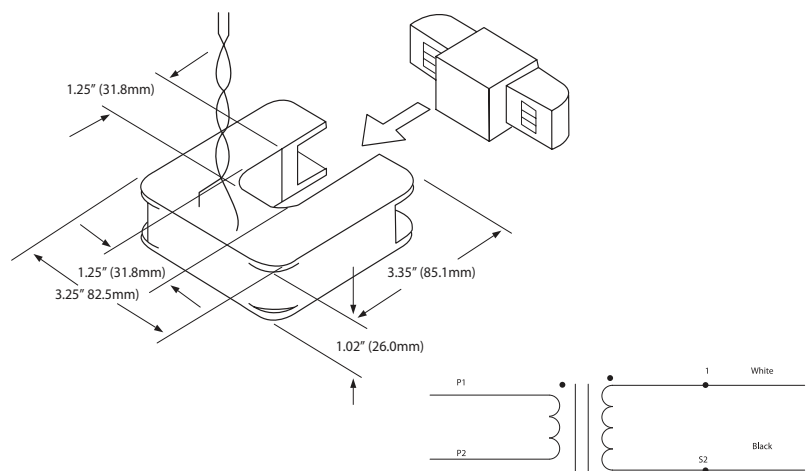
- Revenue grade accuracy: 1%
- Safe, 333mV output
- Split-Core design for quick installation
- UL Recognized



Specifications

RATED CURRENT	
Current Range	5% - 120% of Rated Current
Output	333mV
Accuracy	1%
MECHANICAL/ENVIRONMENTAL	
Form Factor	Split-Core CT
Window Size	31.8mm x 31.8mm (1.25" x 1.25")
Exterior Dimensions	82.5mm x 85.1mm x 26.0mm 3.25" x 3.35" x 1.02"
Case Material	Epoxy Encapsulated Housing, UL 94V-0
Lead Wires	2.5m (8ft) Twisted Pair, 22AWG
Operating Temperature	-20°C to 55°C / -4°F to 131°F
Operating Humidity	Non-Condensing, 0 to 95% RH
Installation Conditions	Indoor Use
ELECTRICAL	
Wire Polarity	White=Positive, Black=Negative
Phase Orientation	Arrow Points Towards Load
Frequency Range	50/60Hz
SAFETY/COMPLIANCE	
Withstand Voltage	3.0KV / 1mA / 1min
Insulation Voltage	600VAC, CAT III
Rated Voltage	600VAC
Certifications	CE, RoHS, cURus (E359521)

Dimensions



Typical Parameter

MODEL	CURRENT RATIO	ACCURACY CLASS	LEAD LENGTH
AcuCT-125-100: 333mV	100/333mV	1.00%	2.5m
AcuCT-125-150: 333mV	150/333mV	1.00%	2.5m
AcuCT-125-200: 333mV	200/333mV	1.00%	2.5m
AcuCT-125-250: 333mV	250/333mV	1.00%	2.5m
AcuCT-125-300: 333mV	300/333mV	1.00%	2.5m
AcuCT-125-400: 333mV	400/333mV	1.00%	2.5m
AcuCT-125-500: 333mV	500/333mV	1.00%	2.5m
AcuCT-125-600: 333mV	600/333mV	1.00%	2.5m

Ordering Information

<i>Model</i>	-	<i>Rated Input</i>	:	<i>Rated Output</i>
AcuCT-125		100: 100A		333mV
		150: 150A		
		200: 200A		
		250: 250A		
		300: 300A		
		400: 400A		
		500: 500A		
		600: 600A		

Ordering Example

AcuCT-125 - 400 : 333mV



Accuenergy Inc.

Los Angeles - Toronto - Pretoria
 North America Toll Free: 1-877-721-8908
 Web: www.accuenergy.com
 Email: marketing@accuenergy.com

Revision Date: April 2026 Version: 1.0.6
 Specs Subject To Change Without Notice.

AcuCT mV Series

AcuCT-200

333mV Split-Core Current Transformer
Datasheet



Ideal for gathering high-precision measurements in commercial or industrial electrical panels or switchgear, the AcuCT mV Series is a revenue grade current transformer with a safe, 333mV output. The AcuCT mV is compatible with a range of meters or other instrumentation and the pull-apart, split-core design helps facilitate fast installation without cable or wire disconnection.

Features

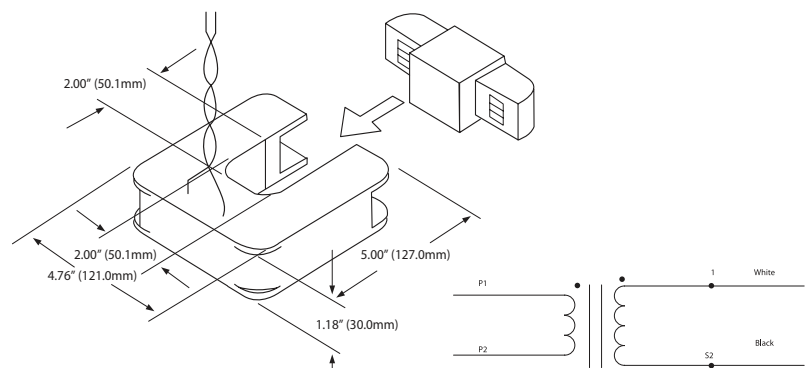
- Revenue grade accuracy: 1%
- Safe, 333mV output
- Split-Core design for quick installation
- UL Recognized



Specifications

RATED CURRENT	200A, 250A, 300A, 400A, 500A, 600A, 800A, 1000A, 1200A, 1500A
Current Range	5% - 120% of Rated Current
Output	333mV
Accuracy	1%
MECHANICAL/ENVIRONMENTAL	
Form Factor	Split-Core CT
Window Size	50.1mm x 50.1mm (2.00" x 2.00")
Exterior Dimensions	121.0mm x 127.0mm x 30.0mm 4.76" x 5.00" x 1.18"
Case Material	Epoxy Encapsulated Housing, UL 94V-0
Lead Wires	2.5m (8ft) Twisted Pair, 22AWG
Operating Temperature	-20°C to 55°C / -4°F to 131°F
Operating Humidity	Non-Condensing, 0 to 95% RH
Installation Conditions	Indoor Use
ELECTRICAL	
Wire Polarity	White=Positive, Black=Negative
Phase Orientation	Arrow Points Towards Load
Frequency Range	50/60Hz
SAFETY/COMPLIANCE	
Withstand Voltage	3.0KV / 1mA / 1min
Insulation Voltage	600VAC, CAT III
Rated Voltage	600VAC
Certifications	CE, RoHS, cURus (E359521)

Dimensions



Typical Parameter

MODEL	CURRENT RATIO	ACCURACY CLASS	LEAD LENGTH
AcuCT-200-200: 333mV	200/333mV	1.00%	2.5m
AcuCT-200-250: 333mV	250/333mV	1.00%	2.5m
AcuCT-200-300: 333mV	300/333mV	1.00%	2.5m
AcuCT-200-400: 333mV	400/333mV	1.00%	2.5m
AcuCT-200-500: 333mV	500/333mV	1.00%	2.5m
AcuCT-200-600: 333mV	600/333mV	1.00%	2.5m
AcuCT-200-800: 333mV	800/333mV	1.00%	2.5m
AcuCT-200-1000: 333mV	1000/333mV	1.00%	2.5m
AcuCT-200-1200: 333mV	1200/333mV	1.00%	2.5m
AcuCT-200-1500: 333mV	1500/333mV	1.00%	2.5m

Ordering Information

<i>Model</i>	-	<i>Rated Input</i>	:	<i>Rated Output</i>
AcuCT-200		200: 200A		333mV
		250: 250A		
		300: 300A		
		400: 400A		
		500: 500A		
		600: 600A		
		800: 800A		
		1000: 1000A		
		1200: 1200A		
		1500: 1500A		

Ordering Example AcuCT-200 - 800 : 333mV



Accuenergy Inc.

Los Angeles - Toronto - Pretoria
 North America Toll Free: 1-877-721-8908
 Web: www.accuenergy.com
 Email: marketing@accuenergy.com

Revision Date: April 2026 Version: 1.0.6
 Specs Subject To Change Without Notice.

AcuCT mV Series

AcuCT-3050

333mV Split-Core Current Transformer
Datasheet



Ideal for gathering high-precision measurements in commercial or industrial electrical panels or switchgear, the AcuCT mV Series is a revenue grade current transformer with a safe, 333mV output. The AcuCT mV is compatible with a range of meters or other instrumentation and the pull-apart, split-core design helps facilitate fast installation without cable or wire disconnection.

Features

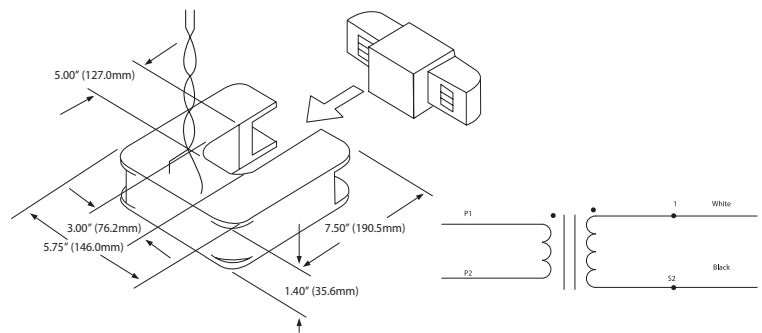
- Revenue grade accuracy: 1%
- Safe, 333mV output
- Split-Core design for quick installation
- UL Recognized



Specifications

RATED CURRENT	
Rated Current	400A, 600A, 800A, 1000A, 1500A, 2000A, 3000A, 4000A, 5000A
Current Range	5% - 120% of Rated Current
Output	333mV
Accuracy	1%
MECHANICAL/ENVIRONMENTAL	
Form Factor	Split-Core CT
Window Size	76.2mm x 127.0mm (3.00" x 5.00")
Exterior Dimensions	146.0mm x 190.5mm x 35.6mm 5.75" x 7.50" x 1.40"
Case Material	Epoxy Encapsulated Housing, UL 94V-0
Lead Wires	2.5m (8ft) Twisted Pair, 22AWG
Operating Temperature	-20°C to 55°C / -4°F to 131°F
Operating Humidity	Non-Condensing, 0 to 95% RH
Installation Conditions	Indoor Use
ELECTRICAL	
Wire Polarity	White=Positive, Black=Negative
Phase Orientation	Arrow Points Towards Load
Frequency Range	50/60Hz
SAFETY/COMPLIANCE	
Withstand Voltage	3.0kV / 1mA / 1min
Insulation Voltage	600VAC, CAT III
Rated Voltage	600VAC
Certifications	CE, RoHS, cURus (E359521)

Dimensions



Typical Parameter

MODEL	CURRENT RATIO	ACCURACY CLASS	LEAD LENGTH
AcuCT-3050-400: 333mV	400/333mV	1.00%	2.5m
AcuCT-3050-600: 333mV	600/333mV	1.00%	2.5m
AcuCT-3050-800: 333mV	800/333mV	1.00%	2.5m
AcuCT-3050-1000: 333mV	1000/333mV	1.00%	2.5m
AcuCT-3050-1500: 333mV	1500/333mV	1.00%	2.5m
AcuCT-3050-2000: 333mV	2000/333mV	1.00%	2.5m
AcuCT-3050-3000: 333mV	3000/333mV	1.00%	2.5m
AcuCT-3050-4000: 333mV	4000/333mV	1.00%	2.5m
AcuCT-3050-5000: 333mV	5000/333mV	1.00%	2.5m

Ordering Information

<i>Model</i>	-	<i>Rated Input</i>	:	<i>Rated Output</i>
AcuCT-3050		400: 400A		333mV
		600: 600A		
		800: 800A		
		1000: 1000A		
		1500: 1500A		
		2000: 2000A		
		3000: 3000A		
		4000: 4000A		
		5000: 5000A		

Ordering Example

AcuCT-3050 - 1000 : 333mV



Accuenergy Inc.

Los Angeles - Toronto - Pretoria
 North America Toll Free: 1-877-721-8908
 Web: www.accuenergy.com
 Email: marketing@accuenergy.com

Revision Date: April 2026 Version: 1.0.6
 Specs Subject To Change Without Notice.