

AcuCT-S113 Series

5A Solid-Core Current Transformer Datasheet



The superior choice for product integrations, the solid-core AcuCT S113 features five output options in a compact, durable form factor. UL2808 Listed for safety, this cost effective current transformer will provide accurate, dependable measurements across industrial, commercial, or in general energy monitoring applications.

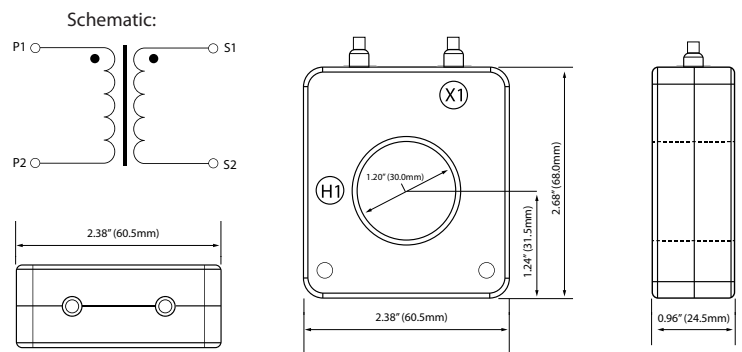
Features

- Accuracy class: IEC 61869-2 Class 0.2
- Three current input options: 200A, 300A, or 400A
- Choose from five output options: 5A, 1A, 100mA, 80mA, 333mV
- Solid-Core design provides reliable performance in challenging applications
- UL2808 Listed

Specifications

RATED CURRENT	
Current Range	5-120% of Rated Current RMS
Output	5A, 1A, 100mA, 80mA, 333mV
Accuracy	IEC 61869-2 Class 0.2
MECHANICAL/ENVIRONMENTAL	
Form Factor	Solid-Core CT
Window Size	30.0mm (1.20")
Exterior Dimensions	60.5mm x 68.0mm x 24.5mm 2.38" x 2.68" x 0.96"
Case Material	UL 94V-0
Lead Wire	2.5m (8.2ft), 18AWG UL1015
Weight	177.00g (6.24oz)
Operating Temperature	-25°C to 70°C / -13°F to 158°F
Storage Temperature	-40°C to 80°C / -40°F to 176°F
Operating Humidity	<90% RH
Installation Conditions	Indoor Use
ELECTRICAL	
Wire Polarity	White=Positive, Black=Negative
Phase Orientation	H1 Points Towards Source
Frequency Range	50/60Hz
Burden	10Ω @mA Output, 1.5VA@1A, 2.5VA@5A
RF	1.2 In
Insulation Resistance	500V/100MΩ Min
SAFETY/COMPLIANCE	
Rated Voltage	600VAC, Rated CAT III
Certifications	CE, RoHS, UL Listed UL2808 (E469633)

Dimensions



Typical Parameter

MODEL	CURRENT RATIO	ACCURACY CLASS	BURDEN/RESISTANCE	LEAD LENGTH
AcuCT-S113-200: 80mA	200/80mA	0.2	10Ω	2.5m
AcuCT-S113-300: 80mA	300/80mA	0.2	10Ω	2.5m
AcuCT-S113-400: 80mA	400/80mA	0.2	10Ω	2.5m
AcuCT-S113-200: 100mA	200/100mA	0.2	10Ω	2.5m
AcuCT-S113-300: 100mA	300/100mA	0.2	10Ω	2.5m
AcuCT-S113-400: 100mA	400/100mA	0.2	10Ω	2.5m
AcuCT-S113-200: 333mV	200/333mV	0.2		2.5m
AcuCT-S113-300: 333mV	300/333mV	0.2		2.5m
AcuCT-S113-400: 333mV	400/333mV	0.2		2.5m
AcuCT-S113-200: 1A	200/1A	0.5	1.5VA	2.5m
AcuCT-S113-300: 1A	300/1A	0.5	1.5VA	2.5m
AcuCT-S113-400: 1A	400/1A	0.5	1.5VA	2.5m
AcuCT-S113-200: 5A	200/5A	1	2.5VA	2.5m
AcuCT-S113-300: 5A	300/5A	1	2.5VA	2.5m
AcuCT-S113-400: 5A	400/5A	1	2.5VA	2.5m

Ordering Information

<i>Model</i>	-	<i>Rated Input</i>	:	<i>Rated Output</i>
AcuCT-S113		200: 200A		333mV
		300: 300A		80mA
		400: 400A		100mA
				1A
				5A

Ordering Example

AcuCT-S113

200

:

333mV



Accuenergy Inc.

Los Angeles - Toronto - Pretoria

North America Toll Free: 1-877-721-8908

Web: www.accuenergy.com

Email: marketing@accuenergy.com

Revision Date: March 2026 Version: 1.0.6
Specs Subject To Change Without Notice.