

# AcuCT S165 Series

Solid-Core Current Transformer Datasheet



The AcuCT S165 solid-core current transformer delivers up to IEC 61869-2 Class 0.2 measurement accuracy at 5% to 120% rated current making it ideal for revenue-grade billing and load management solutions when paired with high-precision energy meters. Available in a wide range of rated current input options, from 100A to 1200A, as well as current output options, covering a wide range of applications across both commercial and industrial sectors.

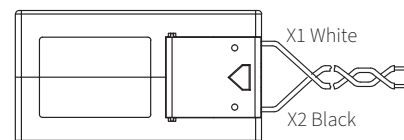
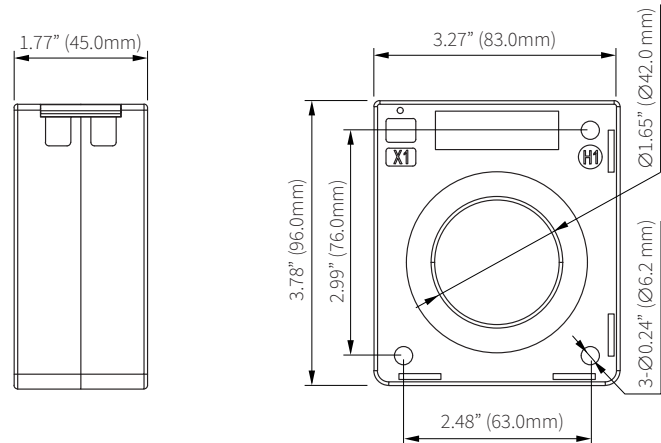
## Features

- Accuracy class: 0.2
- Current Input Options: 100A, 200A, 300A, 400A, 500A, 600A, 800A, 1000A, 1200A
- Current Output Options: 5A, 1A, 100mA, 80mA, 333mV

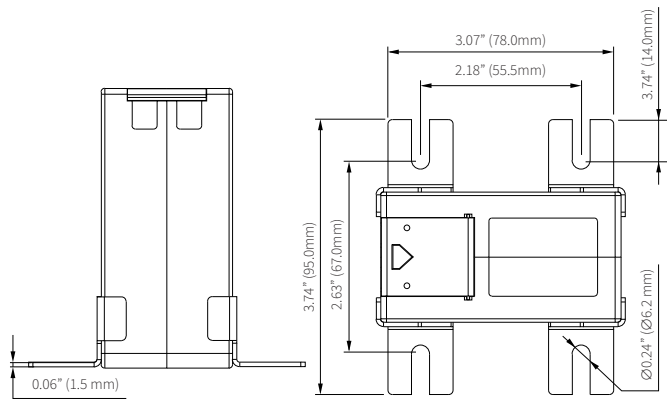
## Specifications

<b>RATED CURRENT</b>	100A, 200A, 300A, 400A, 500A, 600A, 800A, 1000A, 1200A
Current Range	5%-120% of Rated Current
Output	5A, 1A, 100mA, 80mA, 333mV
Accuracy	IEC 61869-2 Class 0.2
<b>MECHANICAL/ENVIRONMENTAL</b>	
Exterior Dimensions	83mm x 96mm x 45mm 3.27" x 3.78" x 1.77"
Window Size	Ø 42.0mm (1.65")
Case Material	Epoxy Encapsulated Housing
Operating Temperature	-25°C to 70°C / -13°F to 158°F
Storage Temperature	-40°C to 80°C / -40°F to 176°F
Operating Humidity	Non-Condensing, 5% to 95% RH
Lead Wires	2.5m (8ft) Twisted Pair, 18AWG
Installation Conditions	Indoor Use
<b>ELECTRICAL</b>	
Wire Polarity	White=Positive, Black=Negative
Phase Orientation	H1 Points Towards Source
Frequency Range	50/60Hz
Burden	1.5-5VA@1/5A; 10Ω@mA
Insulation Resistance	500V / 100MΩ Min
Rated Voltage	600VAC, Rated CAT IV
<b>SAFETY/COMPLIANCE</b>	
Certifications	CE, RoHS, UL Listed UL 2808

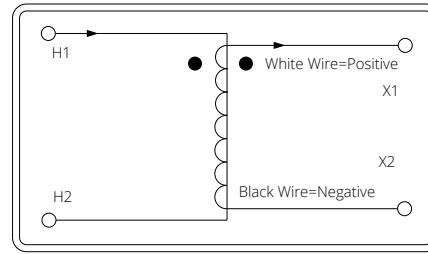
## Dimensions



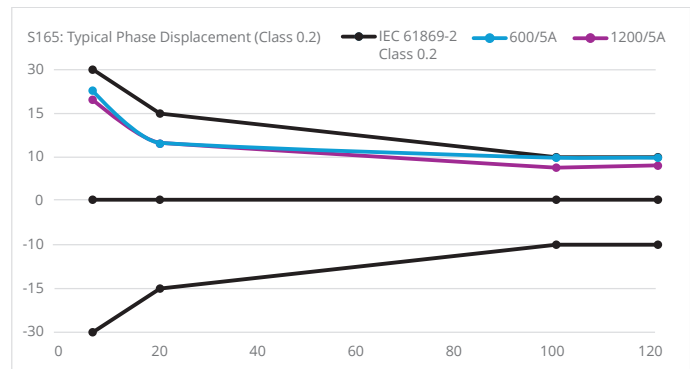
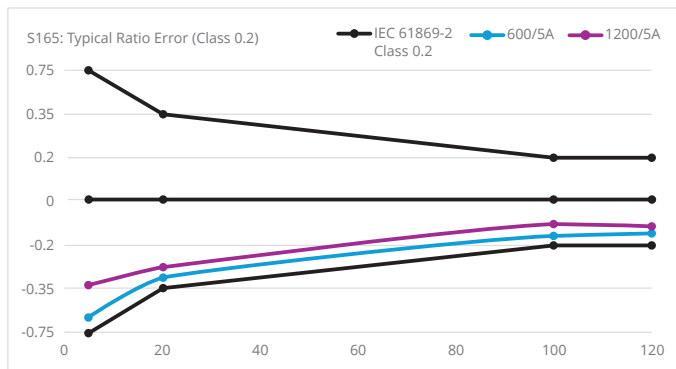
## Mounting Dimension



## Installation Instructions



## IEC 61869-2 0.2 Compliance



## Typical Parameter

MODEL	CURRENT RATIO	ACCURACY CLASS	BURDEN/RESISTANCE	LEAD LENGTH
AcuCT-S165-100: 80mA	100/80mA	0.2	10Ω	2.5m
AcuCT-S165-200: 80mA	200/80mA	0.2	10Ω	2.5m
AcuCT-S165-300: 80mA	300/80mA	0.2	10Ω	2.5m
AcuCT-S165-400: 80mA	400/80mA	0.2	10Ω	2.5m
AcuCT-S165-500: 80mA	500/80mA	0.2	10Ω	2.5m
AcuCT-S165-600: 80mA	600/80mA	0.2	10Ω	2.5m
AcuCT-S165-800: 80mA	800/80mA	0.2	10Ω	2.5m
AcuCT-S165-1000: 80mA	1000/80mA	0.2	10Ω	2.5m
AcuCT-S165-1200: 80mA	1200/80mA	0.2	10Ω	2.5m
AcuCT-S165-100: 100mA	100/100mA	0.2	10Ω	2.5m
AcuCT-S165-200: 100mA	200/100mA	0.2	10Ω	2.5m
AcuCT-S165-300: 100mA	300/100mA	0.2	10Ω	2.5m
AcuCT-S165-400: 100mA	400/100mA	0.2	10Ω	2.5m
AcuCT-S165-500: 100mA	500/100mA	0.2	10Ω	2.5m
AcuCT-S165-600: 100mA	600/100mA	0.2	10Ω	2.5m
AcuCT-S165-800: 100mA	800/100mA	0.2	10Ω	2.5m
AcuCT-S165-1000: 100mA	1000/100mA	0.2	10Ω	2.5m

AcuCT-S165-1200: 100mA	1200/100mA	0.2	10Ω	2.5m
AcuCT-S165-100: 333mV	100/333mV	0.2		2.5m
AcuCT-S165-200: 333mV	200/333mV	0.2		2.5m
AcuCT-S165-300: 333mV	300/333mV	0.2		2.5m
AcuCT-S165-400: 333mV	400/333mV	0.2		2.5m
AcuCT-S165-500: 333mV	500/333mV	0.2		2.5m
AcuCT-S165-600: 333mV	600/333mV	0.2		2.5m
AcuCT-S165-800: 333mV	800/333mV	0.2		2.5m
AcuCT-S165-1000: 333mV	1000/333mV	0.2		2.5m
AcuCT-S165-1200: 333mV	1200/333mV	0.2		2.5m
AcuCT-S165-100: 1A	100/1A	0.2	1.5VA	2.5m
AcuCT-S165-200: 1A	200/1A	0.2	1.5VA	2.5m
AcuCT-S165-300: 1A	300/1A	0.2	1.5VA	2.5m
AcuCT-S165-400: 1A	400/1A	0.2	1.5VA	2.5m
AcuCT-S165-500: 1A	500/1A	0.2	2.5VA	2.5m
AcuCT-S165-600: 1A	600/1A	0.2	2.5VA	2.5m
AcuCT-S165-800: 1A	800/1A	0.2	3.75VA	2.5m
AcuCT-S165-1000: 1A	1000/1A	0.2	5VA	2.5m
AcuCT-S165-1200: 1A	1200/1A	0.2	5VA	2.5m
AcuCT-S165-100: 5A	100/5A	0.2	2.5VA	2.5m
AcuCT-S165-200: 5A	200/5A	0.2	2.5VA	2.5m
AcuCT-S165-300: 5A	300/5A	0.2	2.5VA	2.5m
AcuCT-S165-400: 5A	400/5A	0.2	2.5VA	2.5m
AcuCT-S165-500: 5A	500/5A	0.2	2.5VA	2.5m
AcuCT-S165-600: 5A	600/5A	0.2	2.5VA	2.5m
AcuCT-S165-800: 5A	800/5A	0.2	3.75VA	2.5m
AcuCT-S165-1000: 5A	1000/5A	0.2	5VA	2.5m
AcuCT-S165-1200: 5A	1200/5A	0.2	5VA	2.5m

**Note:** In addition to the recommended accuracy classes listed above, custom accuracy class configurations are also available (e.g., 0.5, 0.5S, 0.2S).

## Ordering Information

<i>Model</i>	<i>Rated Input</i>	<i>Rated Output</i>
AcuCT-S165	100: 100A	5A
	200: 200A	1A
	300: 300A	100mA
	400: 400A	80mA
	500: 500A	333mV
	600: 600A	
	800: 800A	
	1000: 1000A	
	1200: 1200A	

**Ordering Example**    AcuCT-S165    -    800    :    333mV



### Accuenergy Inc.

Los Angeles - Toronto - Pretoria  
 North America Toll Free: 1-877-721-8908  
 Web: [www.accuenergy.com](http://www.accuenergy.com)  
 Email: [marketing@accuenergy.com](mailto:marketing@accuenergy.com)

Revision Date: March 2026 Version: 1.0.2  
 Specs Subject To Change Without Notice.