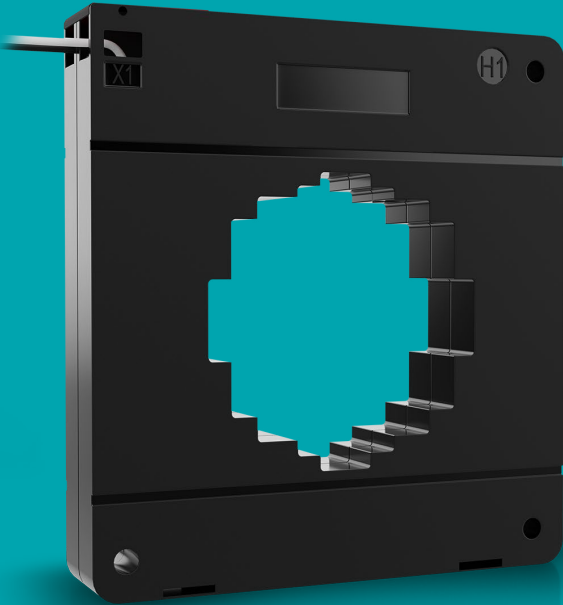


AcuCT-S335 Series

Busbar Solid-Core Current Transformer



Ideal for mounting to a busbar or a cable, the AcuCT S335 is a solid-core current transformer for permanent installations. Features multiple input and output options in a compact form factor. It provides consistent, reliable measurements across industrial and commercial for general metering applications.

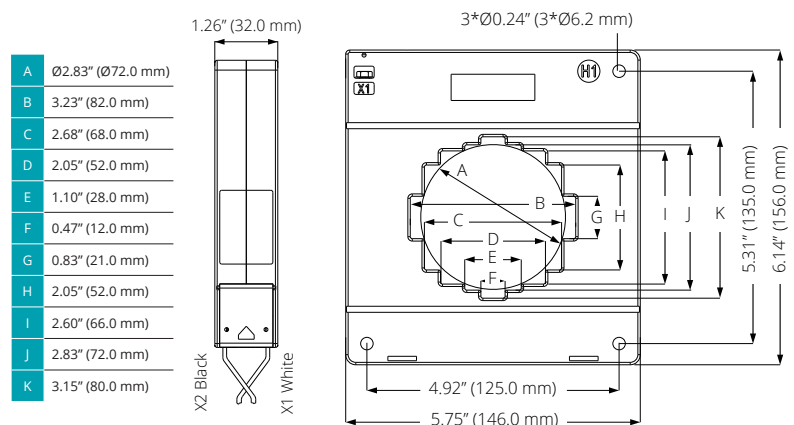
Features

- Accuracy class: 0.2
- Current input options: 500A, 600A, 800A, 1000A, 1200A, 1500A, 2000A, 2500A, 3000A, 3500A
- Choose from five output options: 5A, 1A, 100mA, 80mA, 333mV

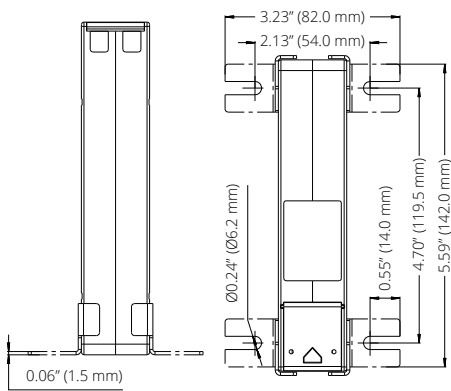
Specifications

RATED CURRENT	500A, 600A, 800A, 1000A, 1200A, 1500A, 2000A, 2500A, 3000A, 3500A
Current Range	5%-120% of Rated Current
Output	5A, 1A, 100mA, 80mA, 333mV
Accuracy	IEC 61869-2 Class 0.2
MECHANICAL/ENVIRONMENTAL	
Form Factor	Solid-Core CT
Window Size	Ø 72mm (2.83")
Exterior Dimensions	146.0mm x 156.0mm x 32.0mm 5.75" x 6.14" x 1.26"
Case Material	Epoxy Encapsulated Housing
Lead Wires	2.5m (8ft), Twisted Pair, 18AWG
Operating Temperature	-25°C to 70°C / -13°F to 158°F
Storage Temperature	-40°C to 80°C / -40°F to 176°F
Operating Humidity	<90% RH
Installation Conditions	Indoor Use
ELECTRICAL	
Wire Polarity	White=Positive, Black=Negative
Phase Orientation	H1 Points Towards Source
Frequency Range	50-60Hz
Burden	2.5-15VA @ 1A, 5A and 10Ω@mA Output
Withstand Voltage	3,000VAC
Insulation Resistance	500V/100MΩ Min
SAFETY/COMPLIANCE	
Rated Voltage	600VAC, Rated CAT III
Certifications	cURus, CE, RoHS, UL Listed UL 2808, CSA 22.2

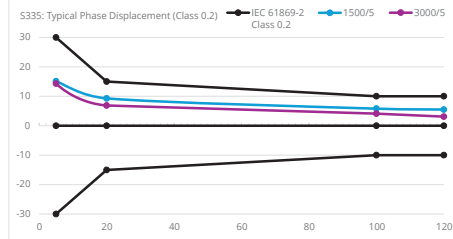
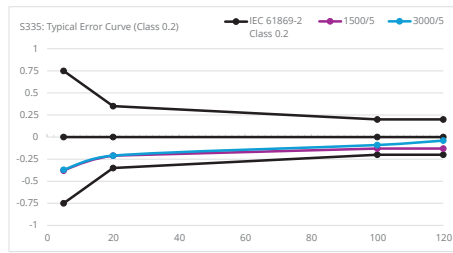
Dimensions



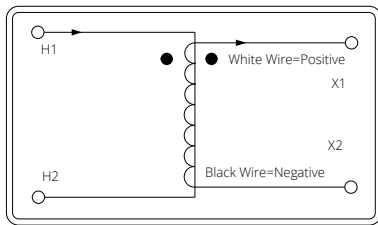
Mounting Dimension



Accuracy Class 0.2



Installation Instructions



Typical Parameter

MODEL	CURRENT RATIO	ACCURACY	BURDEN / RESISTANCE	LEAD LENGTH
AcuCT-S335-500: 80mA	500/80mA	0.2	10Ω	2.5m
AcuCT-S335-600: 80mA	600/80mA	0.2	10Ω	2.5m
AcuCT-S335-800: 80mA	800/80mA	0.2	10Ω	2.5m
AcuCT-S335-1000: 80mA	1000/80mA	0.2	10Ω	2.5m
AcuCT-S335-1200: 80mA	1200/80mA	0.2	10Ω	2.5m
AcuCT-S335-1500: 80mA	1500/80mA	0.2	10Ω	2.5m
AcuCT-S335-2000: 80mA	2000/80mA	0.2	10Ω	2.5m
AcuCT-S335-2500: 80mA	2500/80mA	0.2	10Ω	2.5m
AcuCT-S335-3000: 80mA	3000/80mA	0.2	10Ω	2.5m
AcuCT-S335-3500: 80mA	3500/80mA	0.2	10Ω	2.5m
AcuCT-S335-500: 100mA	500/100mA	0.2	10Ω	2.5m
AcuCT-S335-600: 100mA	600/100mA	0.2	10Ω	2.5m
AcuCT-S335-800: 100mA	800/100mA	0.2	10Ω	2.5m
AcuCT-S335-1000: 100mA	1000/100mA	0.2	10Ω	2.5m
AcuCT-S335-1200: 100mA	1200/100mA	0.2	10Ω	2.5m
AcuCT-S335-1500: 100mA	1500/100mA	0.2	10Ω	2.5m
AcuCT-S335-2000: 100mA	2000/100mA	0.2	10Ω	2.5m
AcuCT-S335-2500: 100mA	2500/100mA	0.2	10Ω	2.5m
AcuCT-S335-3000: 100mA	3000/100mA	0.2	10Ω	2.5m
AcuCT-S335-3500: 100mA	3500/100mA	0.2	10Ω	2.5m
AcuCT-S335-500: 333mV	500/333mV	0.2		2.5m
AcuCT-S335-600: 333mV	600/333mV	0.2		2.5m
AcuCT-S335-800: 333mV	800/333mV	0.2		2.5m
AcuCT-S335-1000: 333mV	1000/333mV	0.2		2.5m
AcuCT-S335-1200: 333mV	1200/333mV	0.2		2.5m
AcuCT-S335-1500: 333mV	1500/333mV	0.2		2.5m

AcuCT-S335-2000: 333mV	2000/333mV	0.2		2.5m
AcuCT-S335-2500: 333mV	2500/333mV	0.2		2.5m
AcuCT-S335-3000: 333mV	3000/333mV	0.2		2.5m
AcuCT-S335-3500: 333mV	3500/333mV	0.2		2.5m
AcuCT-S335-500: 1A	500/1A	0.2	2.5VA	2.5m
AcuCT-S335-600: 1A	600/1A	0.2	2.5VA	2.5m
AcuCT-S335-800: 1A	800/1A	0.2	3.75VA	2.5m
AcuCT-S335-1000: 1A	1000/1A	0.2	5VA	2.5m
AcuCT-S335-1200: 1A	1200/1A	0.2	5VA	2.5m
AcuCT-S335-1500: 1A	1500/1A	0.2	5VA	2.5m
AcuCT-S335-2000: 1A	2000/1A	0.2	7.5VA	2.5m
AcuCT-S335-2500: 1A	2500/1A	0.2	15VA	2.5m
AcuCT-S335-3000: 1A	3000/1A	0.2	15VA	2.5m
AcuCT-S335-3500: 1A	3500/1A	0.2	15VA	2.5m
AcuCT-S335-500: 5A	500/5A	0.2	2.5VA	2.5m
AcuCT-S335-600: 5A	600/5A	0.2	2.5VA	2.5m
AcuCT-S335-800: 5A	800/5A	0.2	3.75VA	2.5m
AcuCT-S335-1000: 5A	1000/5A	0.2	5VA	2.5m
AcuCT-S335-1200: 5A	1200/5A	0.2	5VA	2.5m
AcuCT-S335-1500: 5A	1500/5A	0.2	5VA	2.5m
AcuCT-S335-2000: 5A	2000/5A	0.2	7.5VA	2.5m
AcuCT-S335-2500: 5A	2500/5A	0.2	15VA	2.5m
AcuCT-S335-3000: 5A	3000/5A	0.2	15VA	2.5m
AcuCT-S335-3500: 5A	3500/5A	0.2	15VA	2.5m

The values in the table are the additional burden values containing 2.5 meters leads.

Ordering Information

Model	-	Rated Input	:	Rated Output
AcuCT-S335		500: 500A		5A
		600: 600A		1A
		800: 800A		100mA
		1000: 1000A		80mA
		1200: 1200A		333mV
		1500: 1500A		
		2000: 2000A		
		2500: 2500A		
		3000: 3000A		
		3500: 3500A		



Accuenergy Inc.

Los Angeles - Toronto - Pretoria

North America Toll Free: 1-877-721-8908

Web: www.accuenergy.com

Email: marketing@accuenergy.com

Revision Date: March 2026 Version: 1.0.5

Specs Subject To Change Without Notice.

Ordering Example AcuCT-S335 - 500 : 333mV