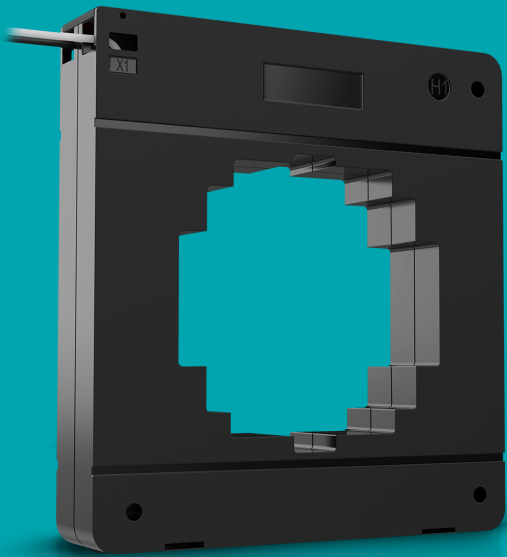


AcuCT-S433 Series

Instrument Solid-Core Current Transformer



The AcuCT S433 is used in permanent metering installations with rated outputs for 5A, 1A, 100mA, 80mA, 333mV. It provides consistent, reliable measurements across industrial and commercial for general metering applications.

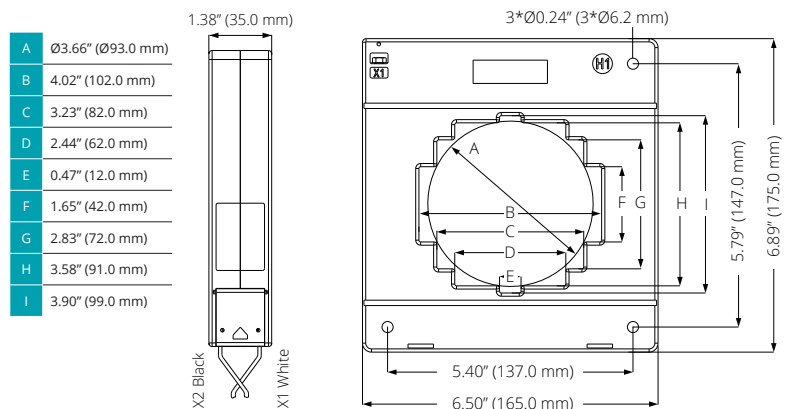
Features

- Accuracy class: 0.2
- Current input options: 800A, 1000A, 1200A, 1500A, 2000A, 2500A, 3000A, 3500A, 4000A
- Choose from five output options: 5A, 1A, 100mA, 80mA, 333mV

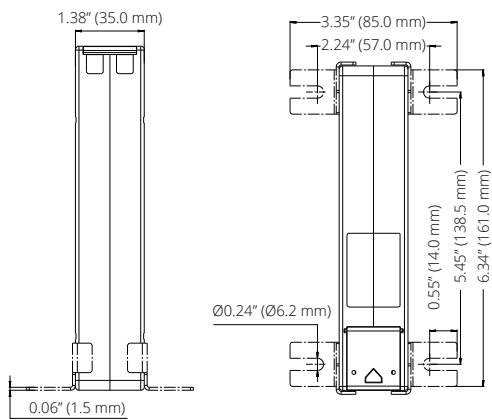
Specifications

RATED CURRENT	800A, 1000A, 1200A, 1500A, 2000A, 2500A, 3000A, 3500A, 4000A
Current Range	5%-120% of Rated Current
Output	5A, 1A, 100mA, 80mA, 333mV
Accuracy	IEC 61869-2 Class 0.2
MECHANICAL/ENVIRONMENTAL	
Form Factor	Solid-Core CT
Window Size	Ø 93.0mm (3.66")
Exterior Dimensions	165.0mm x 175.0mm x 35.0mm 6.50" x 6.89" x 1.38"
Case Material	Epoxy Encapsulated Housing
Lead Wires	2.5m (8ft), Twisted Pair, 18AWG
Operating Temperature	-25°C to 70°C / -13°F to 158°F
Storage Temperature	-40°C to 80°C / -40°F to 176°F
Operating Humidity	<90% RH
Installation Conditions	Indoor Use
ELECTRICAL	
Wire Polarity	White=Positive, Black=Negative
Phase Orientation	H1 Points Towards Source
Frequency Range	50-400Hz
Burden	3.75VA-15VA@1A and 5A, 10Ω@mA Output
Withstand Voltage	3,000VAC
Insulation Resistance	500V/100MΩ Min
SAFETY/COMPLIANCE	
Rated Voltage	600VAC, Rated CAT III
Certifications	cURus, CE, RoHS, UL Listed UL 2808, CSA 22.2

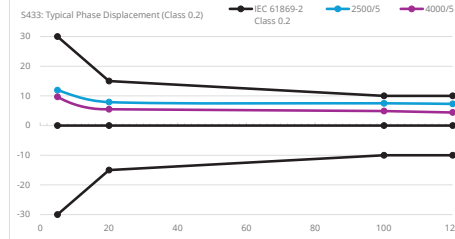
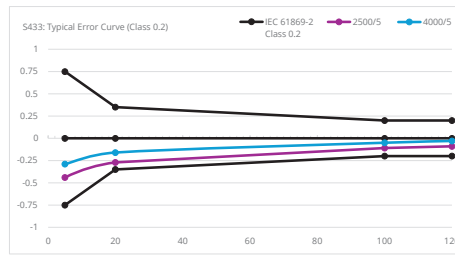
Dimensions



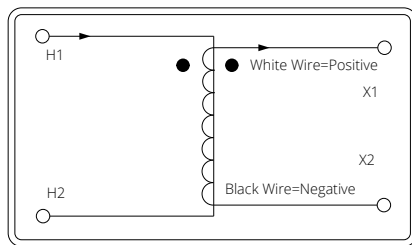
Mounting Dimension



Accuracy Class 0.2



Installation Instructions



Typical Parameter

MODEL	CURRENT RATIO	ACCURACY	BURDEN / RESISTANCE	LEAD LENGTH
AcuCT-S433-800: 5A	800/5A	0.2	3.75VA	2.5m
AcuCT-S433-1000: 5A	1000/5A	0.2	5VA	2.5m
AcuCT-S433-1200: 5A	1200/5A	0.2	5VA	2.5m
AcuCT-S433-1500: 5A	1500/5A	0.2	5VA	2.5m
AcuCT-S433-2000: 5A	2000/5A	0.2	7.5VA	2.5m
AcuCT-S433-2500: 5A	2500/5A	0.2	15VA	2.5m
AcuCT-S433-3000: 5A	3000/5A	0.2	15VA	2.5m
AcuCT-S433-3500: 5A	3500/5A	0.2	15VA	2.5m
AcuCT-S433-4000: 5A	4000/5A	0.2	15VA	2.5m
AcuCT-S433-800: 1A	800/1A	0.2	3.75VA	2.5m
AcuCT-S433-1000: 1A	1000/1A	0.2	5VA	2.5m
AcuCT-S433-1200: 1A	1200/1A	0.2	5VA	2.5m
AcuCT-S433-1500: 1A	1500/1A	0.2	5VA	2.5m
AcuCT-S433-2000: 1A	2000/1A	0.2	7.5VA	2.5m
AcuCT-S433-2500: 1A	2500/1A	0.2	15VA	2.5m
AcuCT-S433-3000: 1A	3000/1A	0.2	15VA	2.5m
AcuCT-S433-3500: 1A	3500/1A	0.2	15VA	2.5m
AcuCT-S433-4000: 1A	4000/1A	0.2	15VA	2.5m
AcuCT-S433-800: 100mA	800/100mA	0.2	10Ω	2.5m
AcuCT-S433-1000: 100mA	1000/100mA	0.2	10Ω	2.5m
AcuCT-S433-1200: 100mA	1200/100mA	0.2	10Ω	2.5m
AcuCT-S433-1500: 100mA	1500/100mA	0.2	10Ω	2.5m
AcuCT-S433-2000: 100mA	2000/100mA	0.2	10Ω	2.5m
AcuCT-S433-2500: 100mA	2500/100mA	0.2	10Ω	2.5m

AcuCT-S433-3000: 100mA	3000/100mA	0.2	10Ω	2.5m
AcuCT-S433-3500: 100mA	3500/100mA	0.2	10Ω	2.5m
AcuCT-S433-4000: 100mA	4000/100mA	0.2	10Ω	2.5m
AcuCT-S433-800: 80mA	800/80mA	0.2	10Ω	2.5m
AcuCT-S433-1000: 80mA	1000/80mA	0.2	10Ω	2.5m
AcuCT-S433-1200: 80mA	1200/80mA	0.2	10Ω	2.5m
AcuCT-S433-1500: 80mA	1500/80mA	0.2	10Ω	2.5m
AcuCT-S433-2000: 80mA	2000/80mA	0.2	10Ω	2.5m
AcuCT-S433-2500: 80mA	2500/80mA	0.2	10Ω	2.5m
AcuCT-S433-3000: 80mA	3000/80mA	0.2	10Ω	2.5m
AcuCT-S433-3500: 80mA	3500/80mA	0.2	10Ω	2.5m
AcuCT-S433-4000: 80mA	4000/80mA	0.2	10Ω	2.5m
AcuCT-S433-800: 333mV	800/333mV	0.2		2.5m
AcuCT-S433-1000: 333mV	1000/333mV	0.2		2.5m
AcuCT-S433-1200: 333mV	1200/333mV	0.2		2.5m
AcuCT-S433-1500: 333mV	1500/333mV	0.2		2.5m
AcuCT-S433-2000: 333mV	2000/333mV	0.2		2.5m
AcuCT-S433-2500: 333mV	2500/333mV	0.2		2.5m
AcuCT-S433-3000: 333mV	3000/333mV	0.2		2.5m
AcuCT-S433-3500: 333mV	3500/333mV	0.2		2.5m
AcuCT-S433-4000: 333mV	4000/333mV	0.2		2.5m

The values in the table are the additional burden values containing 2.5 meters leads.

Ordering Information

Model	- Rated Input	: Rated Output
AcuCT-S433	800: 800A	5A
	1000: 1000A	1A
	1200: 1200A	100mA
	1500: 1500A	80mA
	2000: 2000A	333mV
	2500: 2500A	
	3000: 3000A	
	3500: 3500A	
	4000: 4000A	

Ordering Example AcuCT-S433 - 3000 : 333mV



Accuenergy Inc.

Los Angeles - Toronto - Pretoria
 North America Toll Free: 1-877-721-8908
 Web: www.accuenergy.com
 Email: marketing@accuenergy.com

Revision Date: March 2026 Version: 1.0.5
 Specs Subject To Change Without Notice.