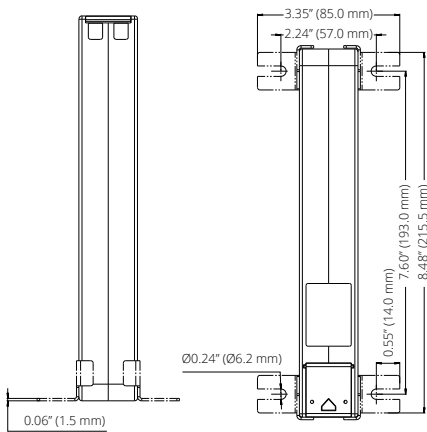
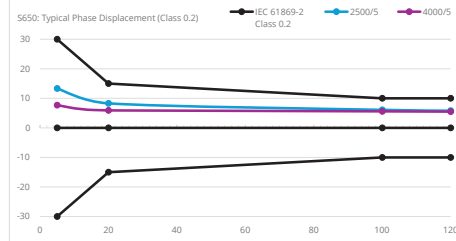
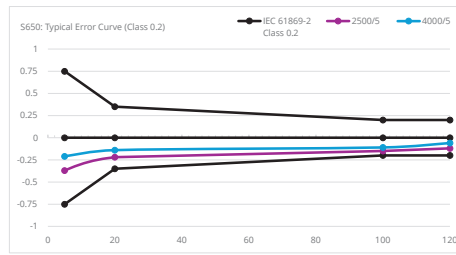




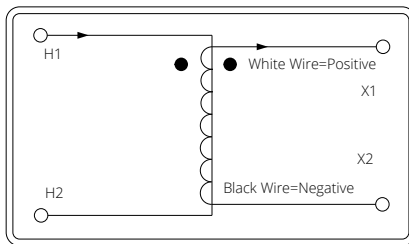
## Mounting Dimension



## Accuracy Class 0.2



## Installation Instructions



## Typical Parameter

MODEL	CURRENT RATIO	ACCURACY	BURDEN / RESISTANCE	LEAD LENGTH
AcuCT-S650-800: 5A	800/5A	0.2	3.75VA	2.5m
AcuCT-S650-1000: 5A	1000/5A	0.2	5VA	2.5m
AcuCT-S650-1200: 5A	1200/5A	0.2	5VA	2.5m
AcuCT-S650-1500: 5A	1500/5A	0.2	5VA	2.5m
AcuCT-S650-2000: 5A	2000/5A	0.2	7.5VA	2.5m
AcuCT-S650-2500: 5A	2500/5A	0.2	15VA	2.5m
AcuCT-S650-3000: 5A	3000/5A	0.2	15VA	2.5m
AcuCT-S650-3500: 5A	3500/5A	0.2	15VA	2.5m
AcuCT-S650-4000: 5A	4000/5A	0.2	15VA	2.5m
AcuCT-S650-800: 1A	800/1A	0.2	3.75VA	2.5m
AcuCT-S650-1000: 1A	1000/1A	0.2	5VA	2.5m
AcuCT-S650-1200: 1A	1200/1A	0.2	5VA	2.5m
AcuCT-S650-1500: 1A	1500/1A	0.2	5VA	2.5m
AcuCT-S650-2000: 1A	2000/1A	0.2	7.5VA	2.5m
AcuCT-S650-2500: 1A	2500/1A	0.2	15VA	2.5m
AcuCT-S650-3000: 1A	3000/1A	0.2	15VA	2.5m
AcuCT-S650-3500: 1A	3500/1A	0.2	15VA	2.5m
AcuCT-S650-4000: 1A	4000/1A	0.2	15VA	2.5m
AcuCT-S650-1000: 100mA	1000/100mA	0.2	10Ω	2.5m
AcuCT-S650-1200: 100mA	1200/100mA	0.2	10Ω	2.5m
AcuCT-S650-1500: 100mA	1500/100mA	0.2	10Ω	2.5m

AcuCT-S650-2000: 100mA	2000/100mA	0.2	10Ω	2.5m
AcuCT-S650-2500: 100mA	2500/100mA	0.2	10Ω	2.5m
AcuCT-S650-3000: 100mA	3000/100mA	0.2	10Ω	2.5m
AcuCT-S650-3500: 100mA	3500/100mA	0.2	10Ω	2.5m
AcuCT-S650-4000: 100mA	4000/100mA	0.2	10Ω	2.5m
AcuCT-S650-800: 80mA	800/80mA	0.2	10Ω	2.5m
AcuCT-S650-1000: 80mA	1000/80mA	0.2	10Ω	2.5m
AcuCT-S650-1200: 80mA	1200/80mA	0.2	10Ω	2.5m
AcuCT-S650-1500: 80mA	1500/80mA	0.2	10Ω	2.5m
AcuCT-S650-2000: 80mA	2000/80mA	0.2	10Ω	2.5m
AcuCT-S650-2500: 80mA	2500/80mA	0.2	10Ω	2.5m
AcuCT-S650-3000: 80mA	3000/80mA	0.2	10Ω	2.5m
AcuCT-S650-3500: 80mA	3500/80mA	0.2	10Ω	2.5m
AcuCT-S650-4000: 80mA	4000/80mA	0.2	10Ω	2.5m
AcuCT-S650-800: 100mA	800/100mA	0.2	10Ω	2.5m
AcuCT-S650-800: 333mV	800/333mV	0.2		2.5m
AcuCT-S650-1000: 333mV	1000/333mV	0.2		2.5m
AcuCT-S650-1200: 333mV	1200/333mV	0.2		2.5m
AcuCT-S650-1500: 333mV	1500/333mV	0.2		2.5m
AcuCT-S650-2000: 333mV	2000/333mV	0.2		2.5m
AcuCT-S650-2500: 333mV	2500/333mV	0.2		2.5m
AcuCT-S650-3000: 333mV	3000/333mV	0.2		2.5m
AcuCT-S650-3500: 333mV	3500/333mV	0.2		2.5m
AcuCT-S650-4000: 333mV	4000/333mV	0.2		2.5m

The values in the table are the additional burden values containing 2.5 meters leads.

## Ordering Information

Model	-	Rated Input	:	Rated Output
AcuCT-S650		800: 800A		5A
		1000: 1000A		1A
		1200: 1200A		100mA
		1500: 1500A		80mA
		2000: 2000A		333mV
		2500: 2500A		
		3000: 3000A		
		3500: 3500A		
		4000: 4000A		

**Ordering Example**    AcuCT-S650    -    3500    :    333mV



**Accuenergy Inc.**  
 Los Angeles - Toronto - Pretoria  
 North America Toll Free: 1-877-721-8908  
 Web: [www.accuenergy.com](http://www.accuenergy.com)  
 Email: [marketing@accuenergy.com](mailto:marketing@accuenergy.com)

Revision Date: March 2026 Version: 1.0.6  
 Specs Subject To Change Without Notice.