

# HAB-16555

DC Current Sensors Datasheet



The HAB Series Hall effect DC current sensor is designed to measure up to 5000A of DC current with 0.5% accuracy. Designed to adapt, the HAB is available with either 4-20mA or 0-5V output and as either a uni-directional or bi-directional device for broad compatibility. Suited for existing applications, the split-core design can be installed without wire or cable disconnection.

## Features

- Accuracy class: 0.5%
- Choose from five input options
- Two rated outputs: 4-20mA or 0-5V rated output
- Non-obtrusive, split core design is installer-friendly
- Available as a uni-directional or bi-directional device
- CE and RoHS compliant



**Accuenergy (Canada) Inc.**  
 Los Angeles - Toronto - Beijing - Pretoria  
 North America Toll Free: 1-877-721-8908  
 Web: [www.accuenergy.com](http://www.accuenergy.com)  
 Email: [marketing@accuenergy.com](mailto:marketing@accuenergy.com)



Revision Date: Sep 2021 Version: 1.0.0  
 Specs Subject To Change Without Notice.



## Specifications

<b>RATED CURRENT</b>	1000A, 2000A, 3000A, 4000A, 5000A
Current Range	10-120% of rated current
Output	4-20mA, 0-5V
Accuracy	0.5%

## MECHANICAL/ENVIRONMENTAL

Form Factor	Split-Core CT, Rectangle, Removable Face
Window Size	165.0mm x 52.0mm (6.50" x 2.05")
Exterior Dimensions	235.0mm x 96.0mm x 49.0mm 9.25" x 3.78" x 1.93"
Case Material	Epoxy encapsulated housing, UL 94V-0
Lead Wires	Terminal Output
Operating Temperature	-10°C to 85°C / 14°F to 185°F
Storage Temperature	-15°C to 90°C / 5°F to 194°F
Operating Humidity	Non-condensing, 0 to 95% RH
Installation Conditions	Indoor Use

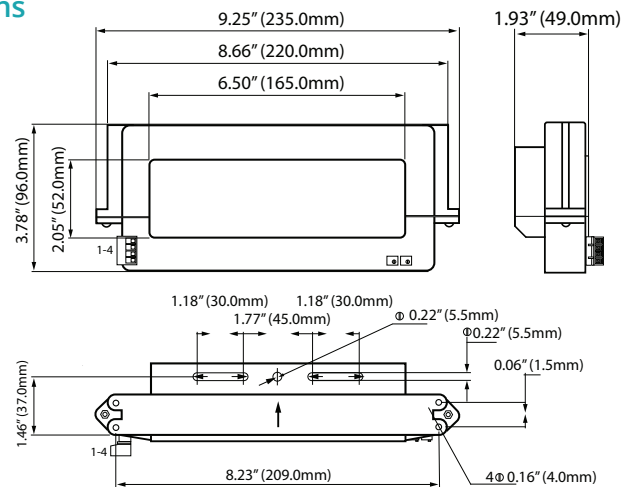
## ELECTRICAL

Wire Polarity	Follow markings on terminal block connector
Phase Orientation	Choose: Uni- or Bi-Directional
Frequency Range	DC
Power Supply	±15V
Direction	Bi-directional, Uni-directional

## SAFETY/COMPLIANCE

Withstand Voltage	2,500V RMS @ 50HZ for 1 minute
Certifications	CE, RoHS

## Dimensions



## Ordering Information

	Model	Rated Input	Rated Output
<b>Ordering Number</b>	-	-	-
<b>Ordering Example</b>	<b>HAB 16555</b>	<b>1000</b>	<b>A2</b>
		1000: 1000A	A2: 4-20mA
		2000: 2000A	A3: 0-5V
		3000: 3000A	
		4000: 4000A	
		5000: 5000A	